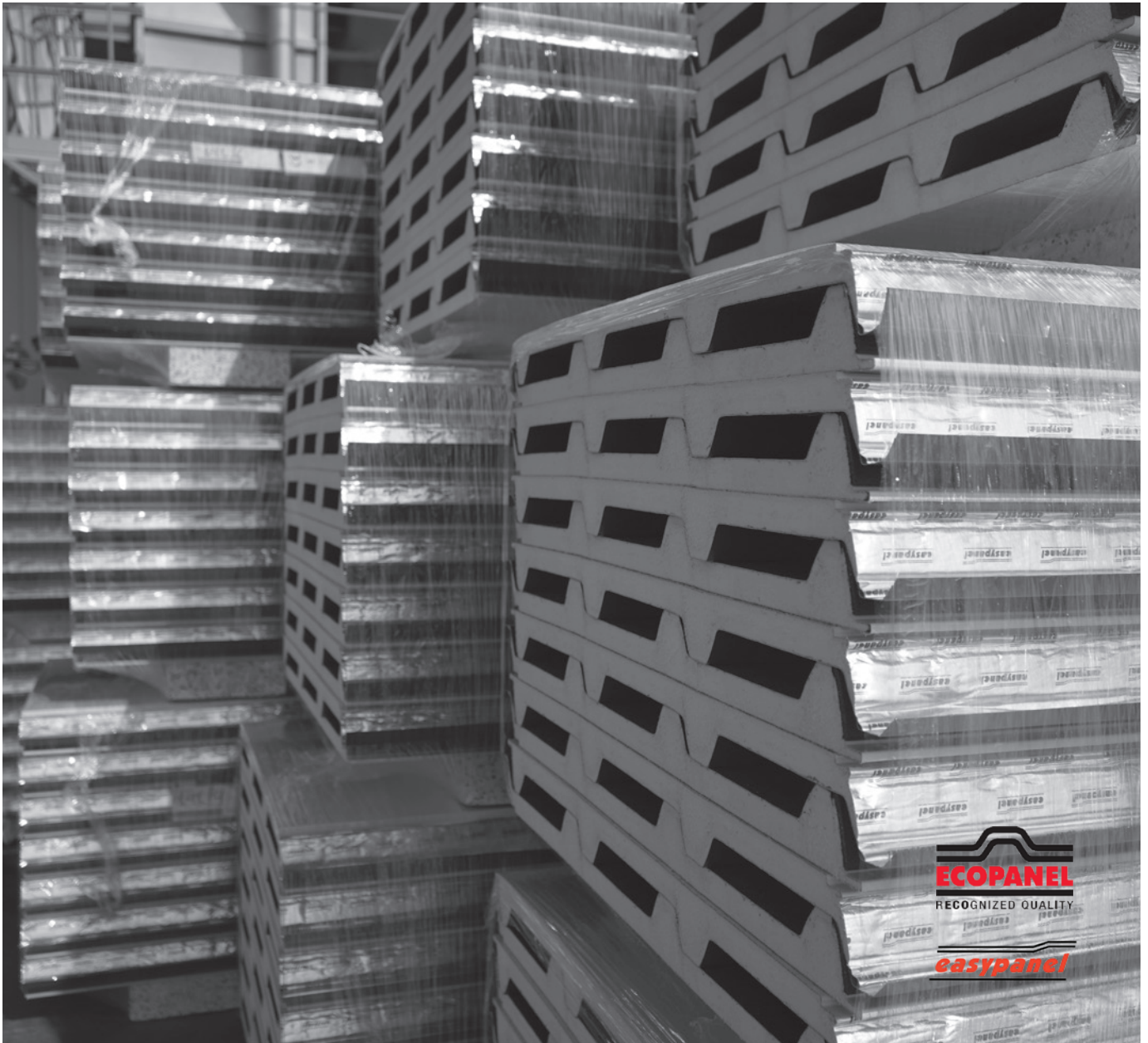


Construction Details, Flashings & Accessories



ECOPANEL
RECOGNIZED QUALITY
easypanel



Contents



Introduction	5
Roof Details ECOPANEL® RL	6
Flashings and accessories	7
Details for Wall Panel ECOPANEL® WL/FW - vertical installation	33
Flashings and accessories	34
Openings - Natural light - Natural ventilation	41
Wall panel details ECOPANEL® WLC horizontal installation	44
Flashings and accessories	45
Fastening Materials	55



Introduction



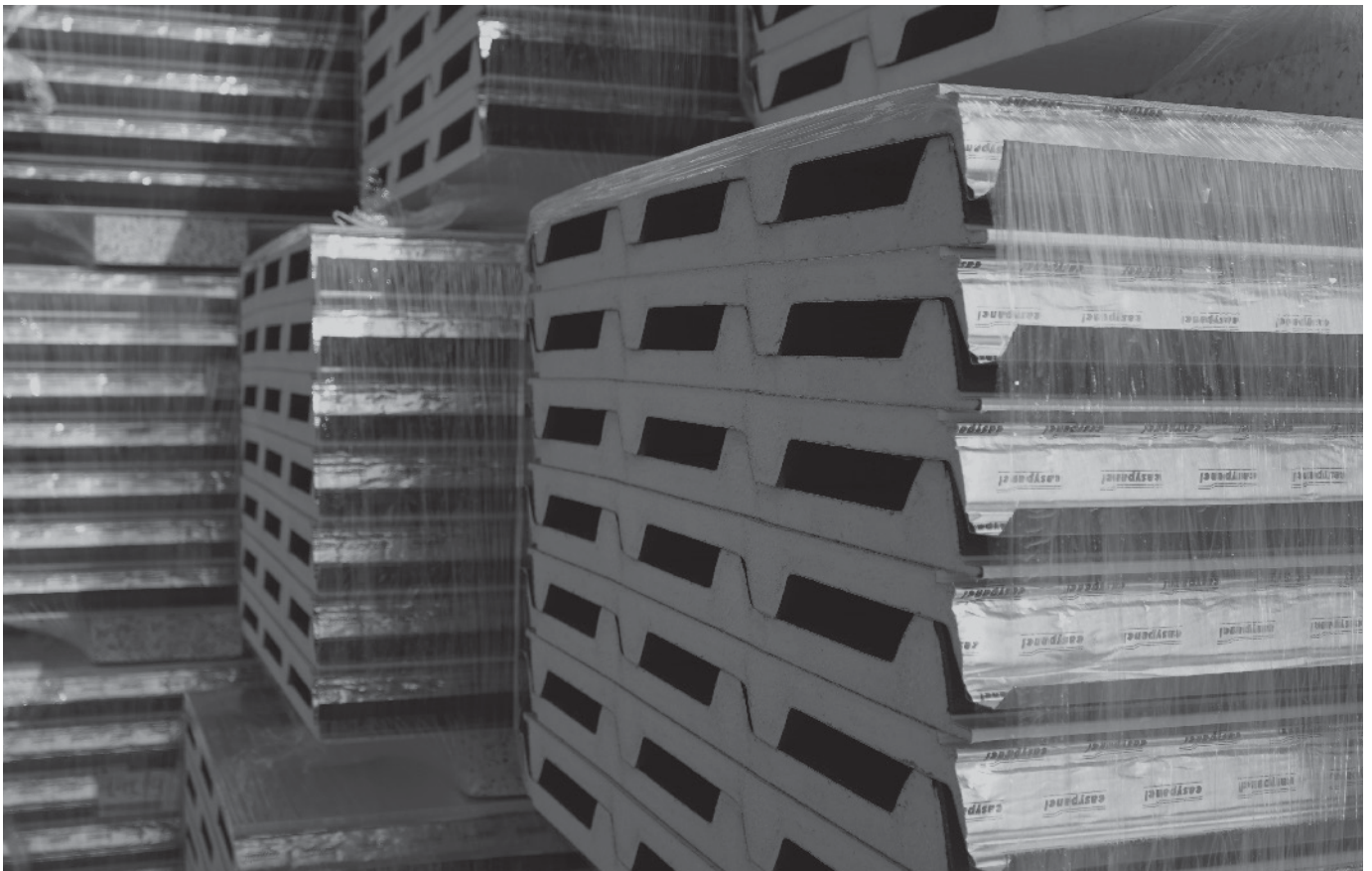
The study of a construction project requires the complex work of several number of technical experts while at the same time, during the designing stage, it is very important to provide them with the necessary tools to deal with the wide range of construction applications at the filling points of edges, joints and endings.

This section is designed to put forth a list of main construction details aiming to form a useful guide for Designers, Technicians and Engineers during the designing stage.

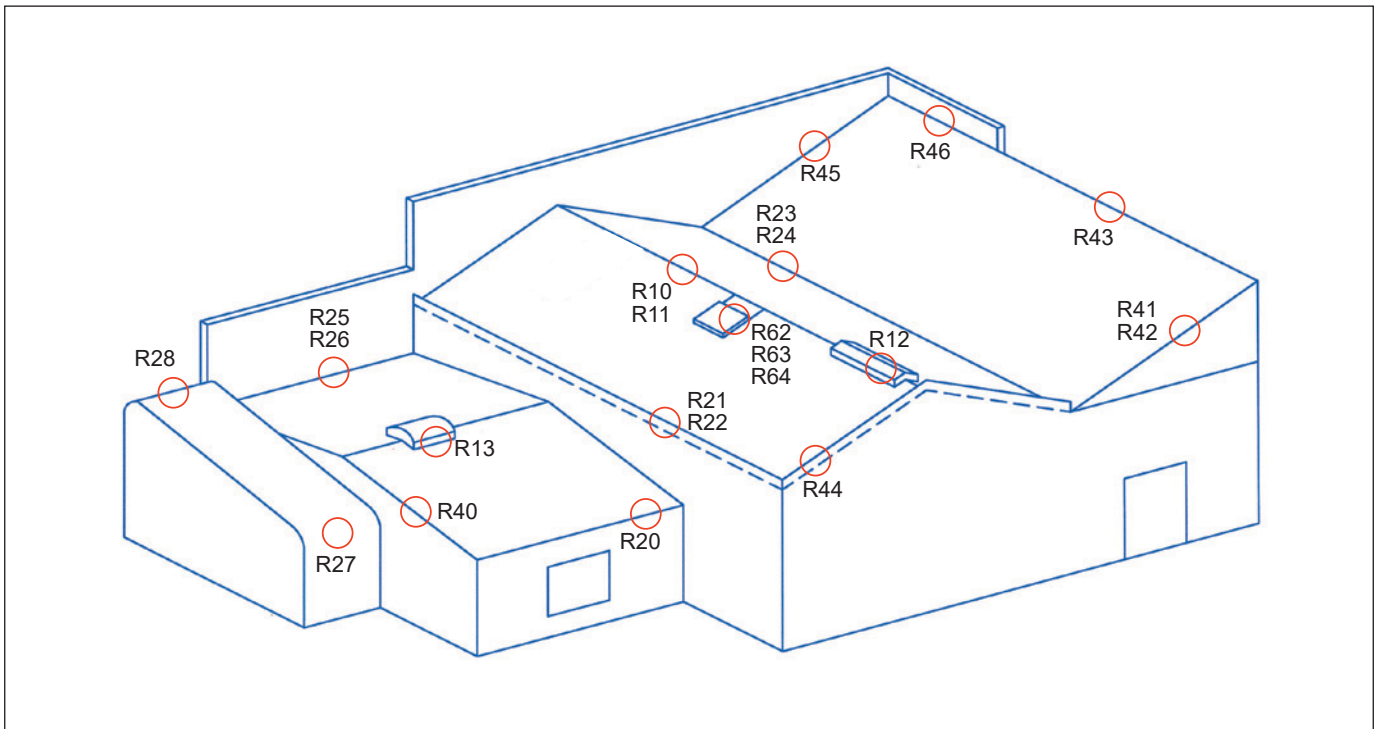
The following construction details have been based on the long experience of field application engineers and constructors and are harmonized into the modern execution demands of building projects such as:

- Energy saving.
- Water tightness.
- Air tightness.
- High aesthetics values.
- Ease of erection.
- Competitive building cost.
- Low maintenance costs throughout the year.

It is obvious that the following construction drawings cannot possibly cover the specific detail solution application demands that arise during the designing stage of every project. The ELASTRON S.A.'s technical support department for CORE panels is always available to the Designers and the Manufacturers so as to help solve compound application details that may arise.

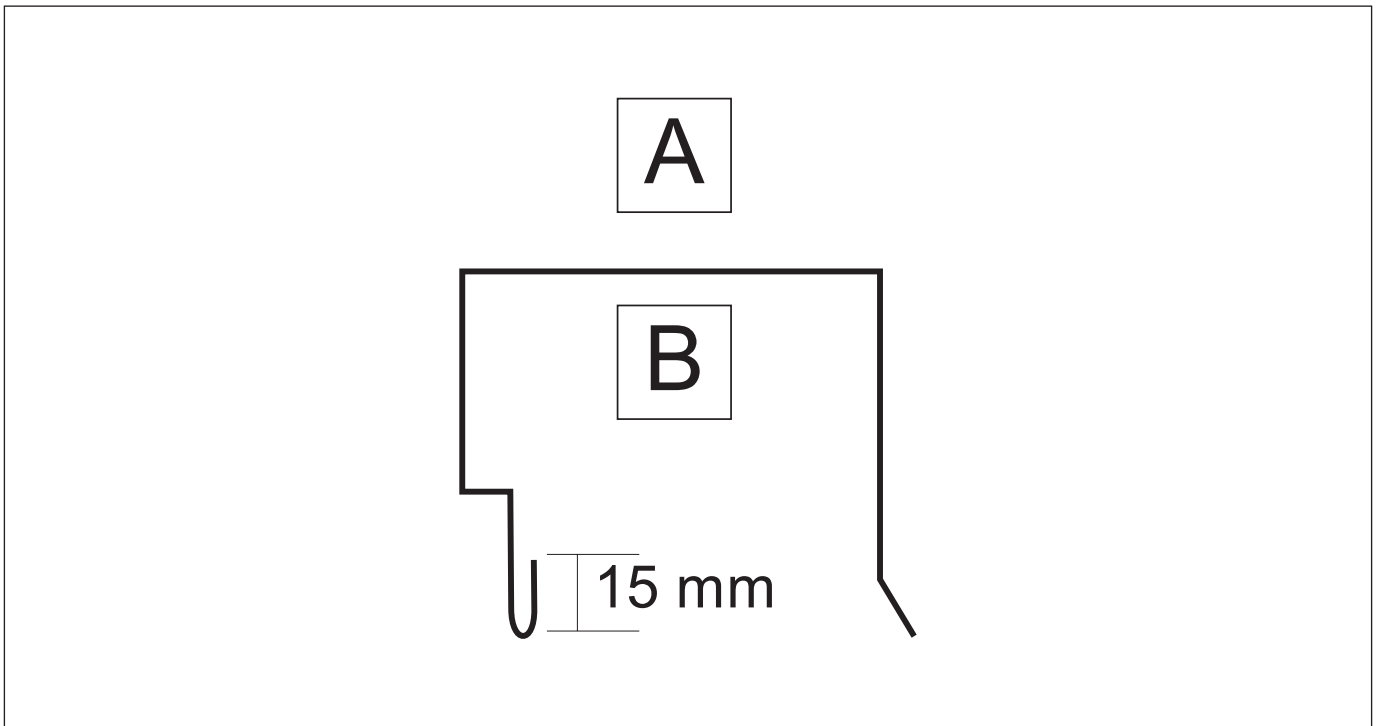


Roof Details ECOPANEL RL



- R10** Half round two pieces ridge.
- R11** Single ridge.
- R12** Ridge Ventilator.
- R13** Polycarbonate translucent roof light.
- R20** External gutter.
- R21** Internal gutter.
- R22** Internal insulated gutter.
- R23** Middle gutter.
- R24** Middle insulated gutter.
- R25** Eave parapet gutter.
- R26** Eave parapet insulated gutter.
- R27** Curved eave without gutter.
- R28** Curved eave insulated gutter.
- R40** Verge wall cladding.
- R41** Verge wall cladding (start of ECOPANEL®).
- R42** Verge wall cladding (end of ECOPANEL®).
- R43** Mono ridge.
- R44** Verge parapet cladding.
- R45** Verge parapet cladding with sub-construction.
- R46** Mono ridge parapet cladding.
- R62** ECOPANEL® assembly with Skylight opening (length section bottom).
- R63** ECOPANEL® assembly with Skylight opening (length section upper).
- R64** ECOPANEL® assembly with Skylight opening (width section).

Flashings and accessories



In this section the following products are presented:

- Flashings.
- Curved trapezoidal steel sheet.
- DRL translucent panels
- Fillers and sealants.
- Fastening materials (self-drilling screws).
- Decorative aluminum profiles.

The flashings are made of steel sheets of the same quality specification as ECOPANEL® steel sheets.

The tables accompanying the flashings state each part's code, dimensions, development, length, thickness, and coloring.

Non-standardized flashings can be produced upon request.

The drawings do not mention the folding of each flashing, which is always stable and equal to 15mm.

A Indicates the side with the final coating and coloring (visible side)

B Indicates the unpainted side.

Standardized colored flashings are produced with steel sheets that have a final Polyester (SP 25 µm) coating according to the RAL range which is stated in the tables.

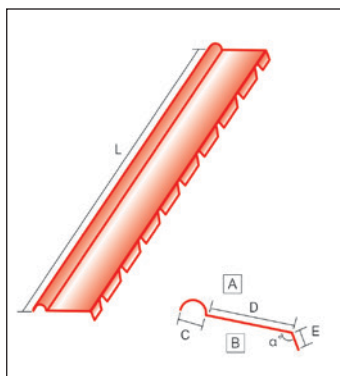
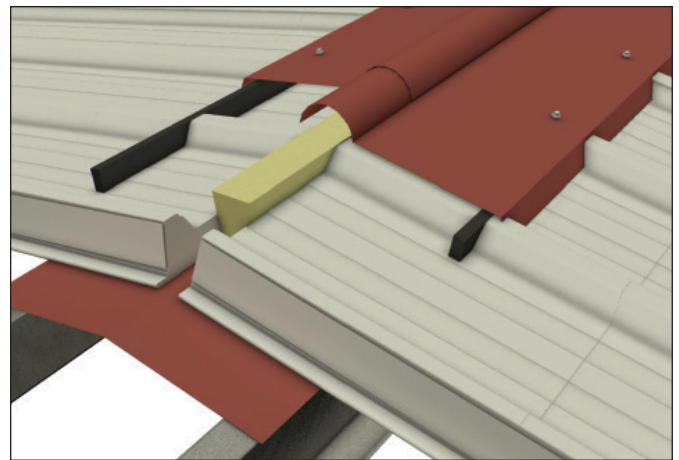
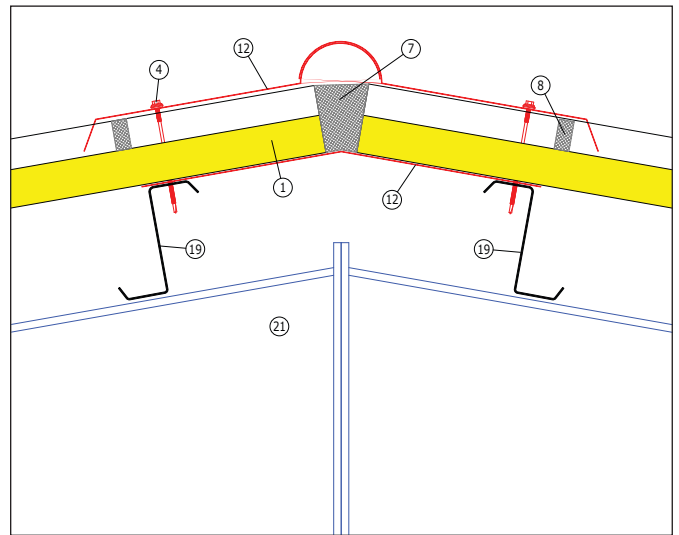
Colored flashings can also be produced in steel sheets qualities Polyvinylidene - Fluoride (PVDF) as well as in different colorings upon request depending on the material availability.

Flashings and accessories

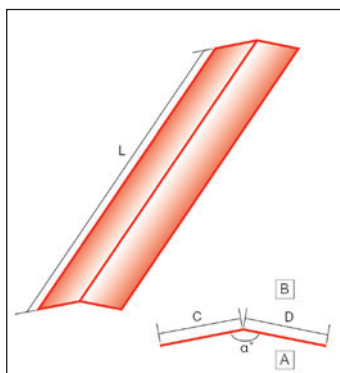


R10 Half round two pieces ridge

- 1 ECOPANEL® RL.
- 4 Self-Drilling fixing screw 5,5 - 6,3mm x L and metal washer with EPDM.
- 7 Site applied PUR foam insulation.
- 8 Foam sealing material.
- 12 Flashing.
- 19 «Z» Purlin.
- 21 Metal frame.



R10.001	Standardized		Upon request	
Dimensions (mm)	C: 110	α° : 110	C: 110	α° : 110
	D: 275		D: max 525	
	E: 45		E: 45	
Opening (mm)	Σ : 500		Σ : max 750	
Length (mm)	L: 3.000		L: 3.000	
Thickness (mm)	t: 0,75		t: 0,75	
Colour (RAL)	9002 - 9006 - 1015 - 3003		UPON REQUEST	



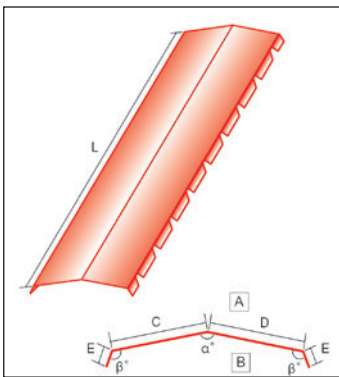
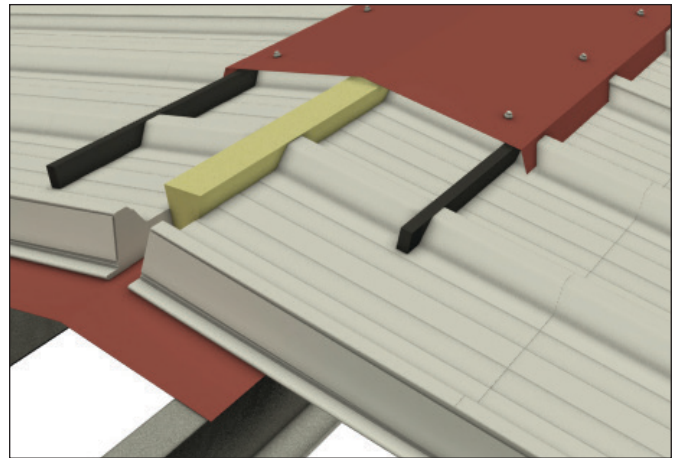
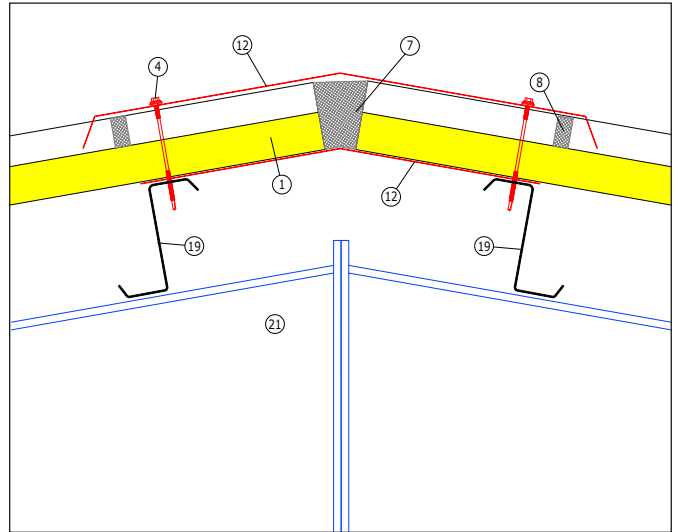
R10.002	Standardized		Upon request	
Dimensions (mm)	C: 268	α° : 160	C: 250~610	α° : 120~175
	D: 268		D: 130~160	
Opening (mm)	Σ : 536		Σ : max 1.220	
Length (mm)	L: 3.000		L: 1.000 ~ 6.000	
Thickness (mm)	t: 0,50		t: 0,60 - 0,75	
Colour (RAL)	9002 - 9006 - 1015		UPON REQUEST	

Flashings and accessories

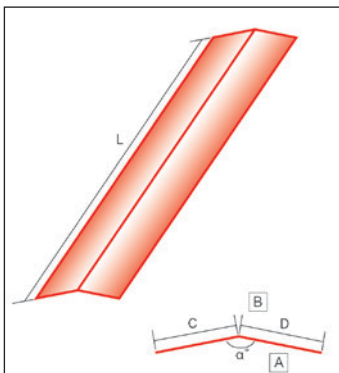


R11 Single ridge

- 1 ECOPANEL® RL.
- 4 Self-Drilling fixing screw 5,5 - 6,3mm x L and metal washer with EPDM.
- 7 Site applied PUR foam insulation.
- 8 Foam sealing material.
- 12 Flashing.
- 19 «Z» Purlin.
- 21 Metal frame.



R11.001	Standardized		Upon request	
Dimensions (mm)	C: 245	α° : 160	C: 260~565	α° :
	D: 245	β° : 110	D: 260~565	β° : 120
	E: 45		E: 45	
Opening (mm)	Σ : 580		Σ : max 1.220	
Length (mm)	L: 3.000		L: 3.000	
Thickness (mm)	t: 0,50		t: 0,60 - 0,75	
Colour (RAL)	9002 - 9006 - 1015 - 3003		UPON REQUEST	



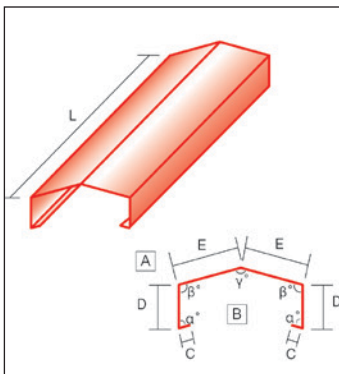
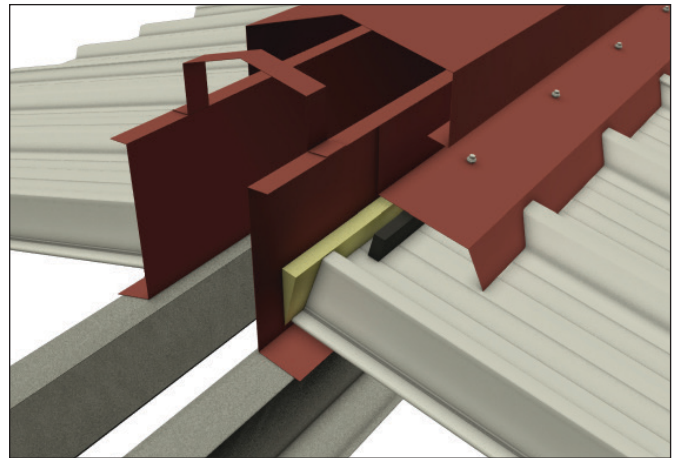
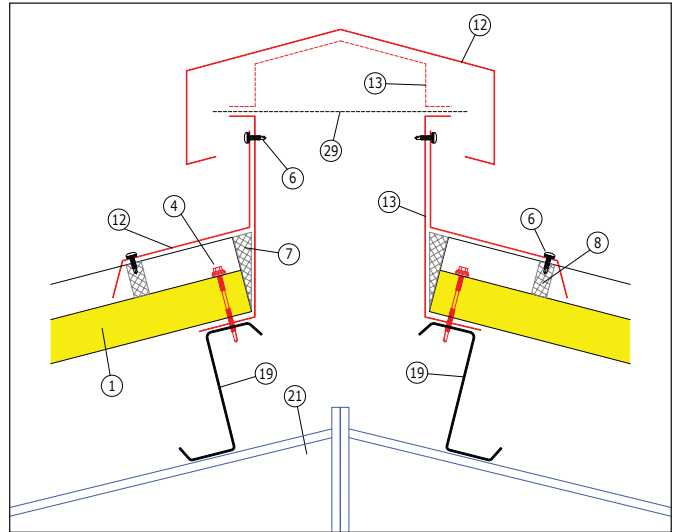
R11.002	Standardized		Upon request	
Dimensions (mm)	C: 268	α° : 160	C: 250~610	α° : 120~175
	D: 268		D: 130~160	
Opening (mm)	Σ : 536		Σ : max 1.220	
Length (mm)	L: 3.000		L: 1.000 ~ 6.000	
Thickness (mm)	t: 0,50		t: 0,60 - 0,75	
Colour (RAL)	9002 - 1015		UPON REQUEST	

Flashings and accessories

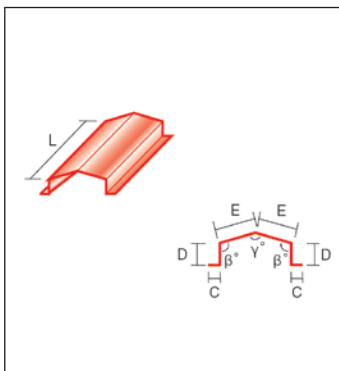


R12 Ridge Ventilator - 1

- 1 ECOPANEL® RL.
- 4 Self-Drilling fixing screw 5,5 - 6,3mm x L and metal washer with EPDM.
- 6 Drilling screw.
- 7 Site applied PUR foam insulation.
- 8 Foam sealing material.
- 12 Flashing.
- 13 Supporting flashing.
- 19 «Z» Purlin.
- 21 Metal frame.
- 29 Bird Grille.



R12.001	Standardized		Upon request	
Dimensions (mm)	C: 50	α° : 75	C: -	α° : -
	D: 160	β° : 105	D: -	β° : -
	E: 365	γ° : 150	E: -	γ° : -
Opening (mm)	Σ : 1.150		Σ : -	
Length (mm)	L: 4.000		L: 1.000 ~ 6.000	
Thickness (mm)	t: 0,75		t: 0,90	
Colour (RAL)	9002 - 9006 - 1015 - 3003		UPON REQUEST	



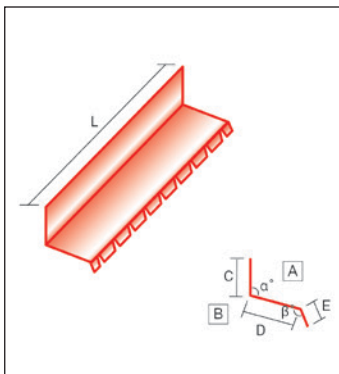
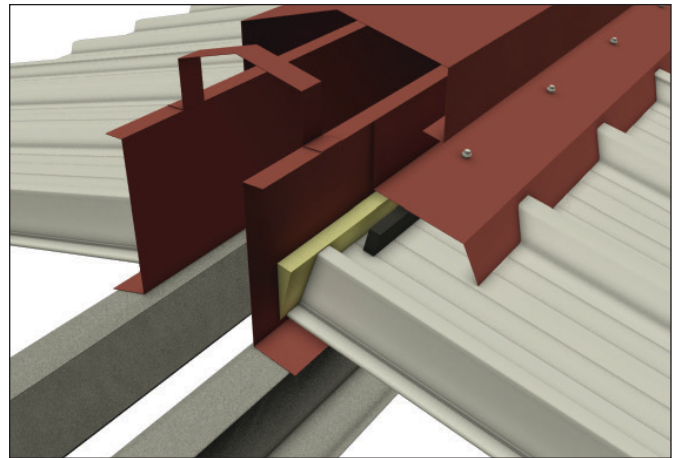
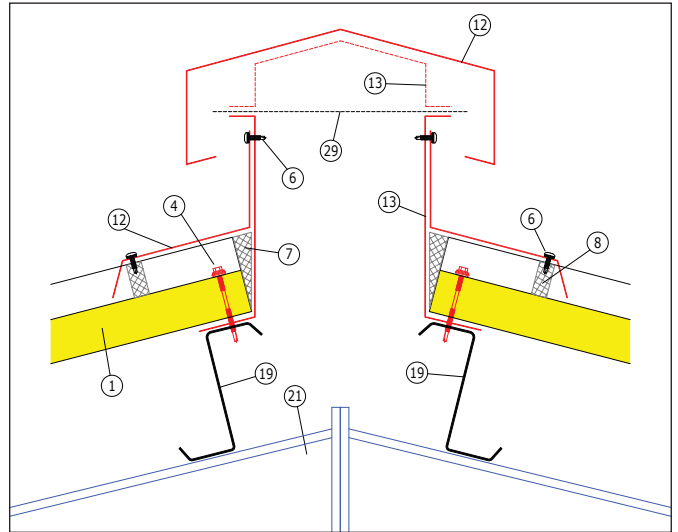
R12.002	Standardized		Upon request	
Dimensions (mm)	C: 50	β° : 105	C: -	β° : -
	D: 120	γ° : 150	D: -	γ° : -
	E: 220		E: -	
Opening (mm)	Σ : 780		Σ : -	
Length (mm)	L: 150		L: -	
Thickness (mm)	t: 1,50		t: -	
Colour (RAL)	GALVANIZED		UPON REQUEST	

Flashings and accessories

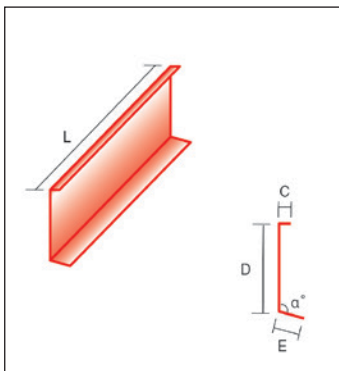


R12 Ridge Ventilator - 2

- 1 ECOPANEL® RL.
- 4 Self-Drilling fixing screw 5,5 - 6,3mm x L and metal washer with EPDM.
- 6 Drilling screw.
- 7 Site applied PUR foam insulation.
- 8 Foam sealing material.
- 12 Flashing.
- 13 Supporting flashing.
- 19 «Z» Purlin.
- 21 Metal frame.
- 29 Bird Grille.



R12.003	Standardized		Upon request	
Dimensions (mm)	C: 180	α° :	C:	
	D: 275	β° : 110	D:	
	E: 45			
Opening (mm)	Σ : 500		Σ : max 1.250	
Length (mm)	L: 3.000		L: 1.000 ~ 6.000	
Thickness (mm)	t: 0,50		t: 0,75	
Colour (RAL)	9002 - 9006 - 1015 - 3003		UPON REQUEST	



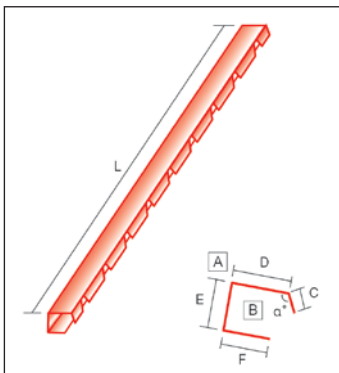
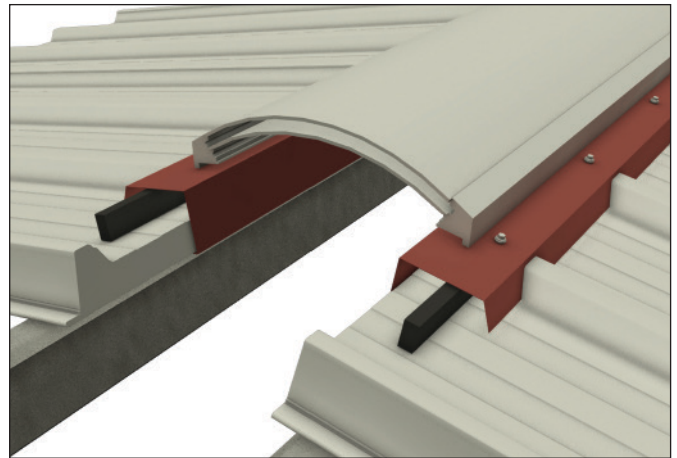
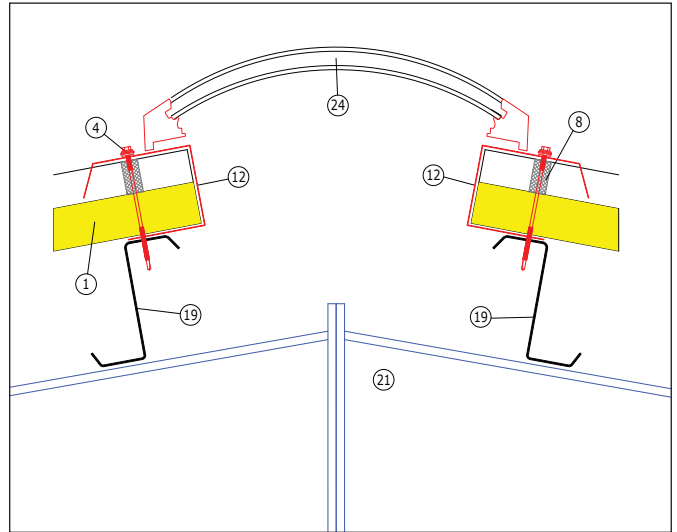
R12.004	Standardized		Upon request	
Dimensions (mm)	C: 50	α° :	C:	
	D: 240+W		D:	
	E: 100		E:	
Opening (mm)			Σ : max 1.250	
Length (mm)	L: 4.000		L: 3.000 ~ 6.000	
Thickness (mm)	t: 2,00		t: 1,00 - 3,00	
Colour (RAL)	GALVANIZED		UPON REQUEST	

Flashings and accessories



R13 Polycarbonate translucent roof light

- 1 ECOPANEL® RL.
- 4 Self-Drilling fixing screw 5,5 - 6,3mm x L and metal washer with EPDM.
- 8 Foam sealing material.
- 12 Flashing.
- 19 «Z» Purlin.
- 21 Metal frame.
- 24 Polycarbonate translucent rooflight.



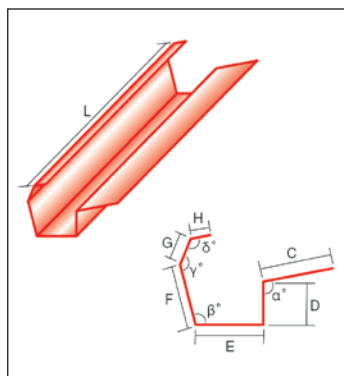
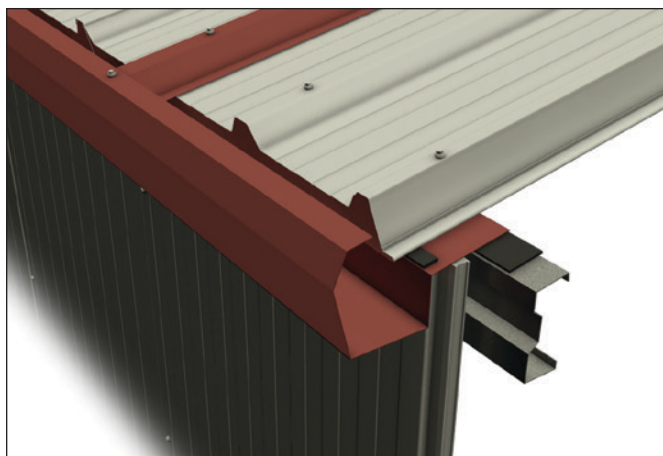
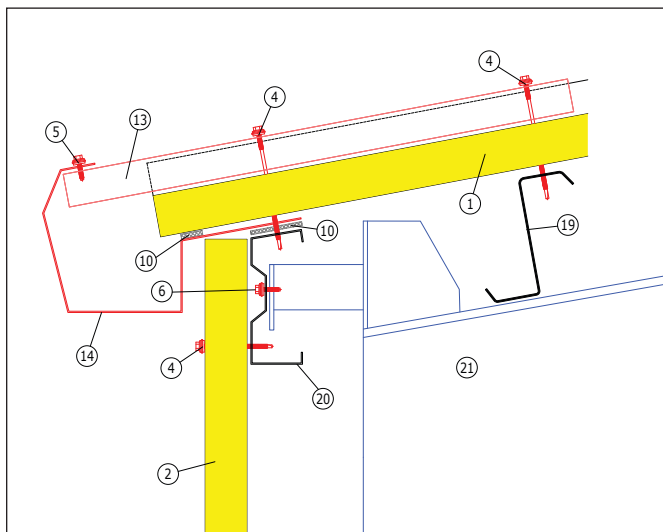
R13.001	Standardized		Upon request	
Dimensions (mm)	C: 45	α° : 110	C: -	α° : -
	D: 160		D: -	
	E: W		E: -	
	F: 70		F: -	
Opening (mm)			Σ : -	
Length (mm)	L: 3.000		L: -	
Thickness (mm)	t: 0,50		t: -	
Colour (RAL)	9002 - 9006 - 1015 - 3003		UPON REQUEST	

Flashings and accessories

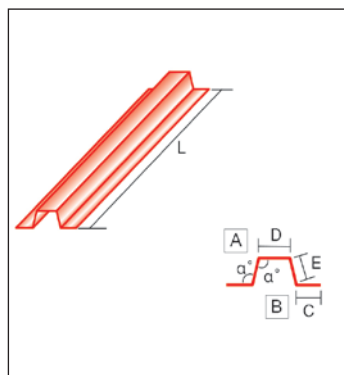


R20 External gutter

- 1 ECOPANEL® RL.
- 2 ECOPANEL® WL/FW.
- 4 Self-Drilling fixing screw 5,5 - 6,3mm x L and metal washer with EPDM.
- 5 Self-Drilling joint screw 5,5mm x L and metal washer with EPDM.
- 6 Drilling screw
- 10 Sealing strip.
- 13 Supporting flashing.
- 14 Gutter.
- 19 «Z» Purlin.
- 20 «Σ» Purlin.
- 21 Metal frame.



R20.001	Standardized		Upon request	
Dimensions (mm)	C:	H:	C:	H:
	D:	α° :	D:	α° :
	E:	β° :	E:	β° :
	F:	γ° :	F:	γ° :
	G:	δ° :	G:	δ° :
Opening (mm)	Σ :		Σ : max 1.250	
Length (mm)	L: 4.000		L: 3.000 - 4.000 - 6.000	
Thickness (mm)	t: 1,50		t: 1,00 - 3,00	
Colour (RAL)	GALVANIZED		UPON REQUEST	



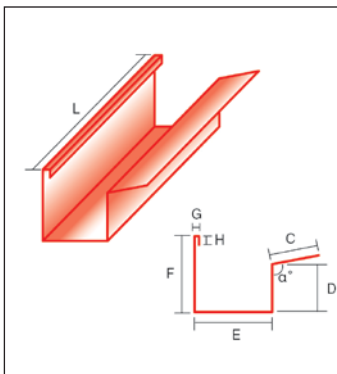
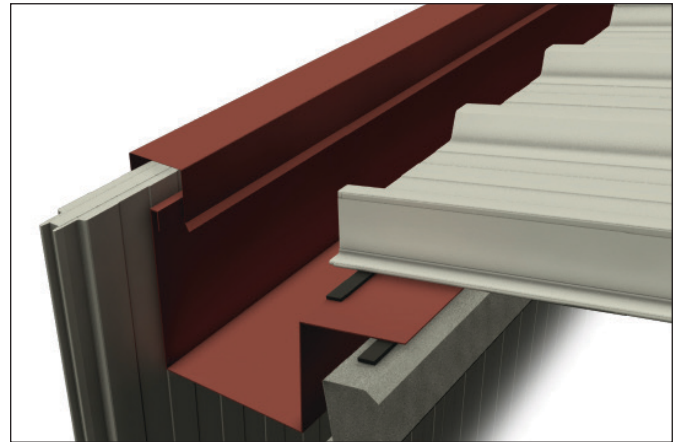
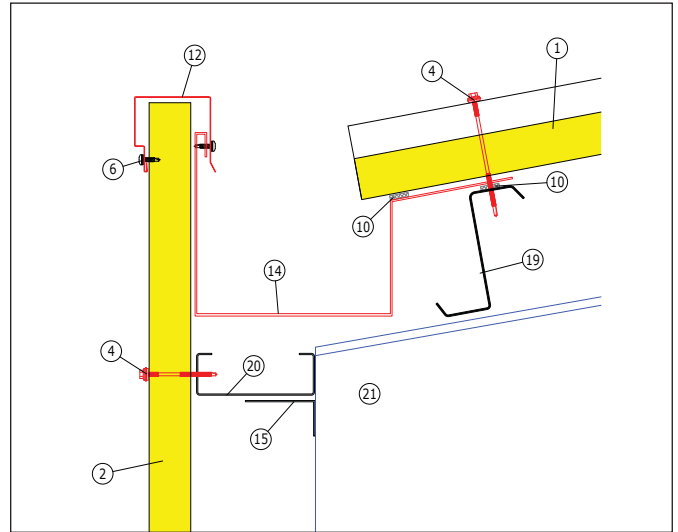
R20.002	Standardized		Upon request	
Dimensions (mm)	C: 30	α° : 126	C: -	α° : X
	D: 45		D: -	
	E: 48		E: -	
Opening (mm)	Σ : 201		Σ : max 1.250	
Length (mm)	L: 800		L: 1.000 ~ 6.000	
Thickness (mm)	t: 0,75		t: 0,90	
Colour (RAL)	9002 - 9006 - 1015 - 3003		UPON REQUEST	

Flashings and accessories

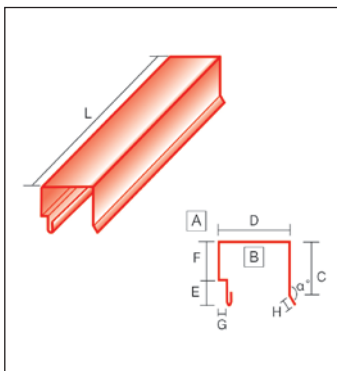


R21 Internal gutter

- 1 ECOPANEL® RL.
- 2 ECOPANEL® WL/FW.
- 4 Self-Drilling fixing screw 5,5 - 6,3mm x L and metal washer with EPDM.
- 6 Drilling screw.
- 10 Sealing strip.
- 12 Flashing.
- 14 Gutter.
- 15 Supporting angle.
- 19 «Z» Purlin.
- 20 «C» Purlin.
- 21 Metal frame.



R21.001	Standardized		Upon request	
Dimensions (mm)	C: -	G: 20	C:	G:
	D: -	H: 20	D:	H:
	E: -	α°: -	E:	α°:
	F: -		F:	
Opening (mm)	Σ: 1.000 ~ 1.250		Σ: max 1.500	
Length (mm)	L: 4.000		L: 3.000 - 4.000 - 6.000	
Thickness (mm)	t: 1,50		t: 1,00 - 3,00	
Colour (RAL)	GALVANIZED		UPON REQUEST	



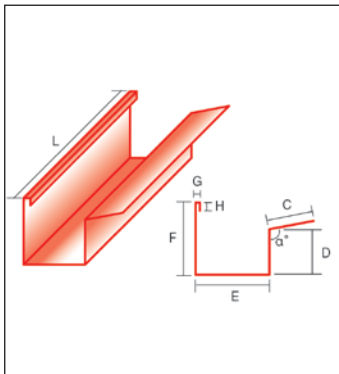
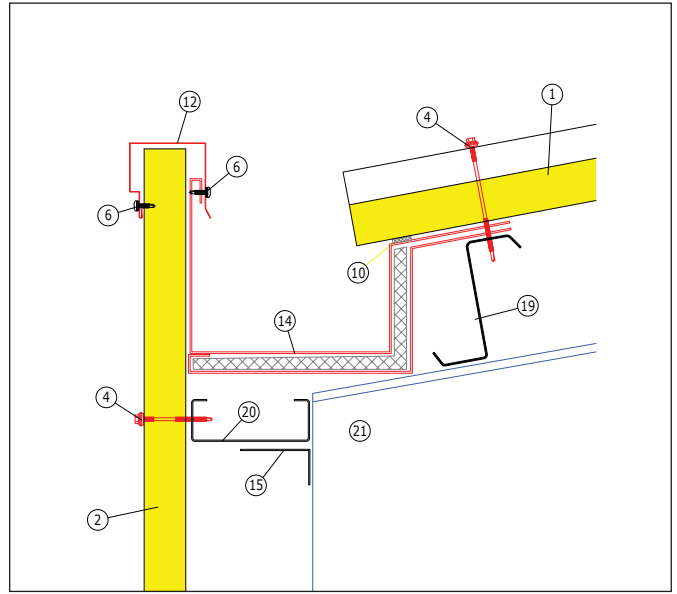
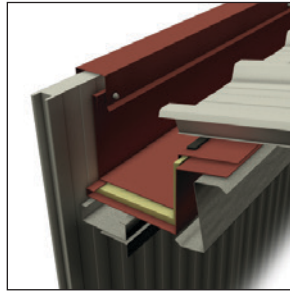
R21.002	Standardized		Upon request	
Dimensions (mm)	C: 100	G: 20	C:	G:
	D: 40 + W	H: 15	D:	H:
	E: 30	α°: 160	E:	α°:
	F: 110		F:	
Opening (mm)	Σ: 330 + W (panel's thickness)		Σ: max 1.250	
Length (mm)	L: 4.000		L: 1.000 ~ 6.000	
Thickness (mm)	t: 0,50		t: 0,60 - 0,75	
Colour (RAL)	9002 - 9006 - 1015 - 3003		UPON REQUEST	

Flashings and accessories

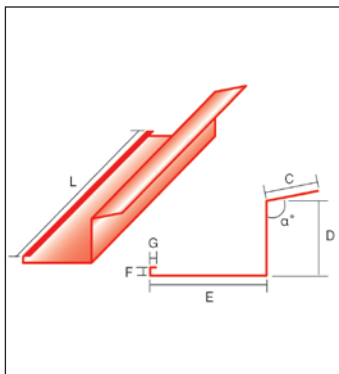


R22 Internal insulated gutter

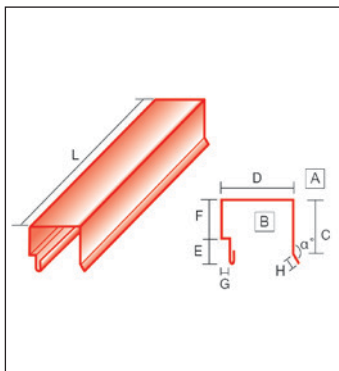
- 1 ECOPANEL® RL.
- 2 ECOPANEL® WL/FW.
- 4 Self-Drilling fixing screw 5,5 - 6,3mm x L and metal washer with EPDM.
- 6 Drilling screw.
- 10 Sealing strip.
- 12 Flashing.
- 14 Insulated gutter.
- 15 Supporting angle.
- 19 «Z» Purlin.
- 20 «C» Purlin.
- 21 Metal frame.



R21.001	Standardized		Upon request	
	Dimensions (mm)	C: -	G: 20	C:
D: -		H: 20	D:	H:
E: -		α° : -	E:	α° :
F: -			F:	
Opening (mm)	Σ : 1.000 ~ 1.250		Σ : max 1.500	
Length (mm)	L: 4.000		L: 3.000 - 4.000 - 6.000	
Thickness (mm)	t: 1,50		t: 1,00 - 3,00	
Colour (RAL)	GALVANIZED		UPON REQUEST	



R22.001	Standardized		Upon request	
	Dimensions (mm)	C: -	G: 20	C:
D: -		α° : -	D:	α° :
E: -			E:	
F: 30			F:	
Opening (mm)	Σ : 1.000 ~ 1.250		Σ : max 1.500	
Length (mm)	L: 4.000		L: 3.000 - 4.000 - 6.000	
Thickness (mm)	t: 1,50		t: 1,00 - 3,00	
Colour (RAL)	GALVANIZED		UPON REQUEST	



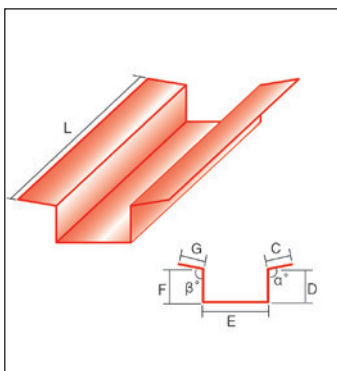
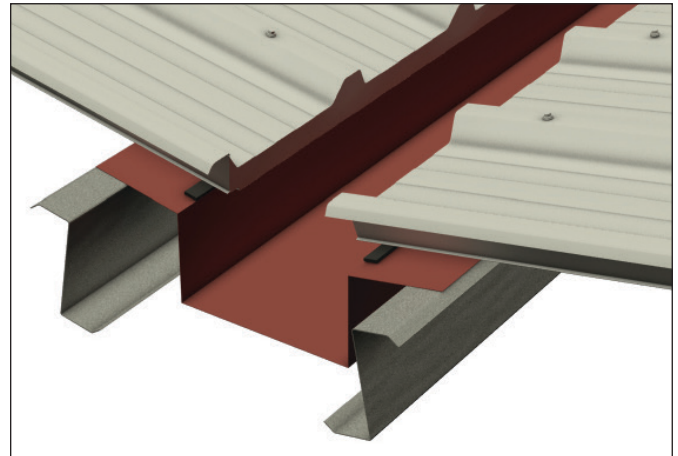
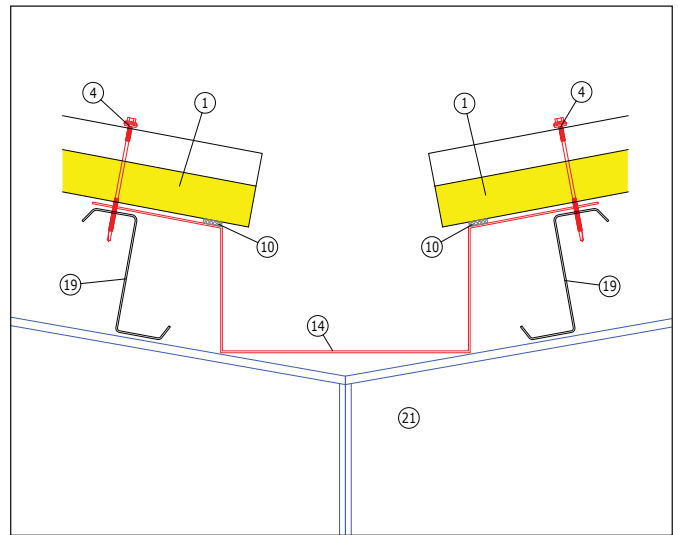
R21.002	Standardized		Upon request	
	Dimensions (mm)	C: 100	G: 20	C:
D: 40 + W		H: 15	D:	H:
E: 30		α° : 160	E:	α° :
F: 110			F:	
Opening (mm)	Σ : 330 + W (panel's thickness)		Σ : max 1.250	
Length (mm)	L: 4.000		L: 1.000 ~ 6.000	
Thickness (mm)	t: 0,50		t: 0,60 - 0,75	
Colour (RAL)	9002 - 9006 - 1015 - 3003		UPON REQUEST	

Flashings and accessories



R23 Middle gutter

- 1 ECOPANEL® RL.
- 4 Self-Drilling fixing screw 5,5 - 6,3mm x L and metal washer with EPDM.
- 10 Sealing strip.
- 14 Gutter.
- 19 «Z» Purlin.
- 21 Metal frame.



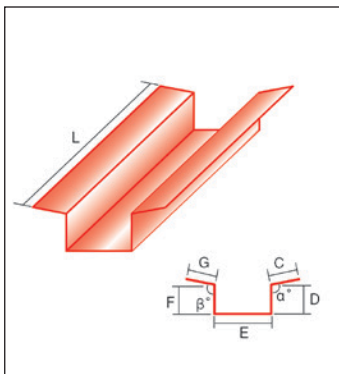
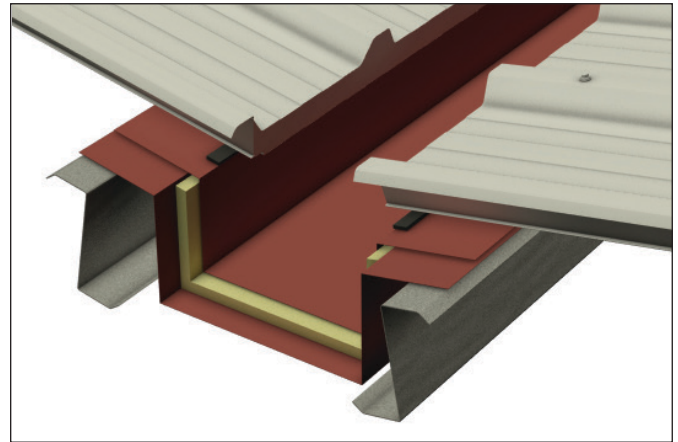
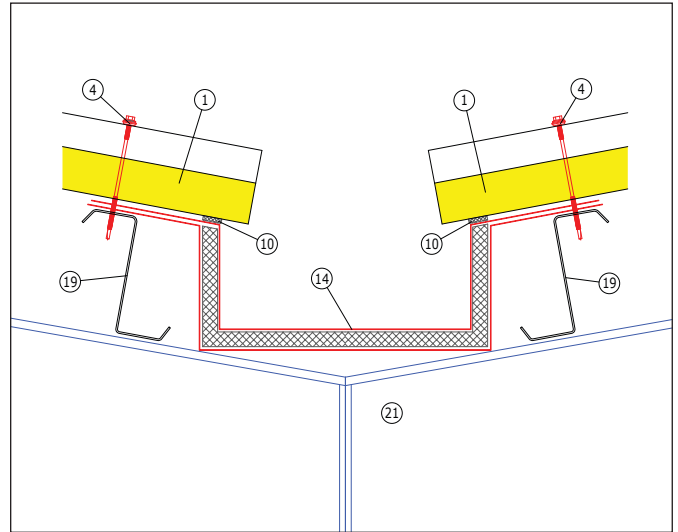
R23.001	Standardized		Upon request	
Dimensions (mm)	C: -	G: -	C:	G:
	D: -	α° : -	D:	α° :
	E: -	β° : -	E:	β° :
	F: -		F:	
Opening (mm)	Σ : -		Σ : max 1.250	
Length (mm)	L: 4.000		L: 3.000 - 4.000 - 6.000	
Thickness (mm)	t: 1,50		t: 1,00 - 3,00	
Colour (RAL)	GALVANIZED		UPON REQUEST	

Flashings and accessories

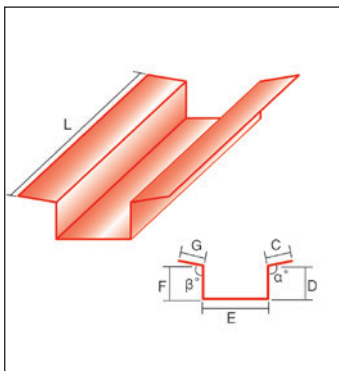


R24 Middle insulated gutter

- 1 ECOPANEL® RL.
- 4 Self-Drilling fixing screw 5,5 - 6,3mm x L and metal washer with EPDM.
- 10 Sealing strip.
- 14 Insulated gutter.
- 19 «Z» Purlin.
- 21 Metal frame.



R24.002	Standardized		Upon request	
Dimensions (mm)	C: -	G: -	C:	G:
	D: -	α° : -	D:	α° :
	E: -	β° : -	E:	β° :
	F: -		F:	
Opening (mm)	Σ : -		Σ : max 1.250	
Length (mm)	L: 4.000		L: 3.000 - 4.000 - 6.000	
Thickness (mm)	t: 1,50		t: 1,00 - 3,00	
Colour (RAL)	GALVANIZED		UPON REQUEST	



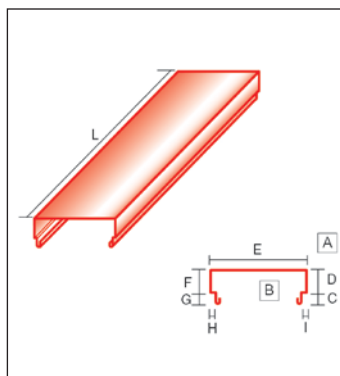
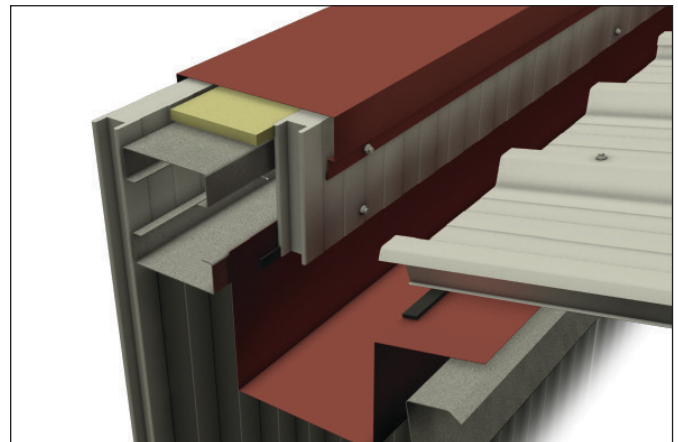
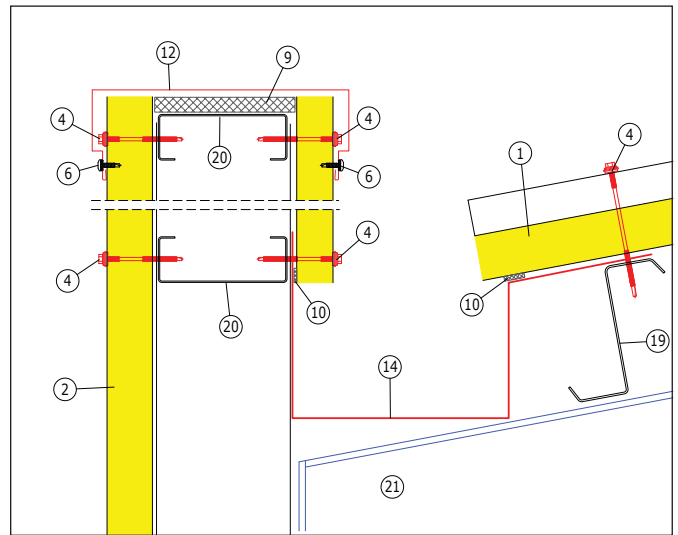
R24.001	Standardized		Upon request	
Dimensions (mm)	C: -	G: -	C:	G:
	D: -	α° : -	D:	α° :
	E: -	β° : -	E:	β° :
	F: -		F:	
Opening (mm)	Σ : -		Σ : max 1.250	
Length (mm)	L: 4.000		L: 3.000 - 4.000 - 6.000	
Thickness (mm)	t: 1,50		t: 1,00 - 3,00	
Colour (RAL)	GALVANIZED		UPON REQUEST	

Flashings and accessories

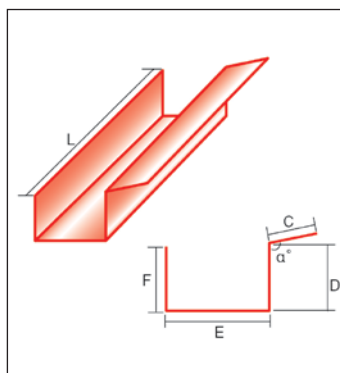


R25 Eave parapet gutter

- 1 ECOPANEL® RL.
- 2 ECOPANEL® WL/FW.
- 4 Self-Drilling fixing screw 5,5 - 6,3mm x L and metal washer with EPDM.
- 6 Drilling screw.
- 9 Insulating material (Polyurethane – Mineral wool).
- 10 Sealing strip.
- 12 Flashing.
- 14 Gutter.
- 19 «Z» Purlin.
- 20 «C» Purlin.
- 21 Metal frame.



R25.001	Standardized		Upon request	
Dimensions (mm)	C: 30	G: 30	C:	G:
	D: 90	H: 20	D:	H:
	E: -	I: 20	E:	I:
	F: 90		F:	
Opening (mm)	$\Sigma: 310 + E$		$\Sigma: \text{max } 1.250$	
Length (mm)	L: 4.000		L: 1.000 ~ 6.000	
Thickness (mm)	t: 0,50		t: 0,60 - 0,75	
Colour (RAL)	9002 - 9006 - 1015 - 3003		UPON REQUEST	



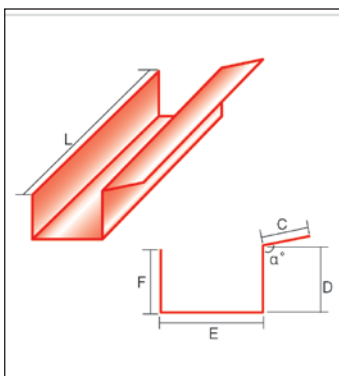
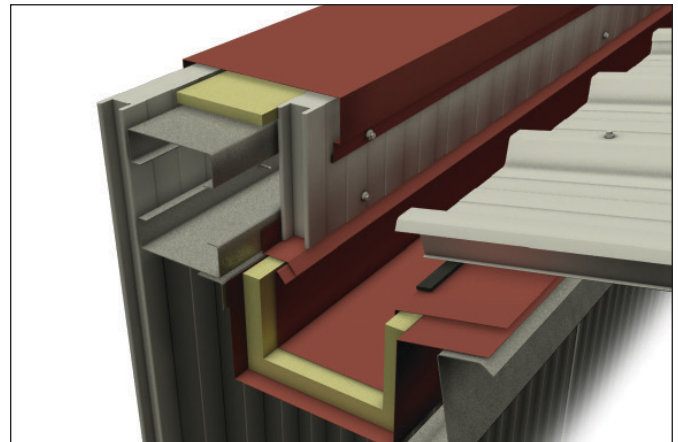
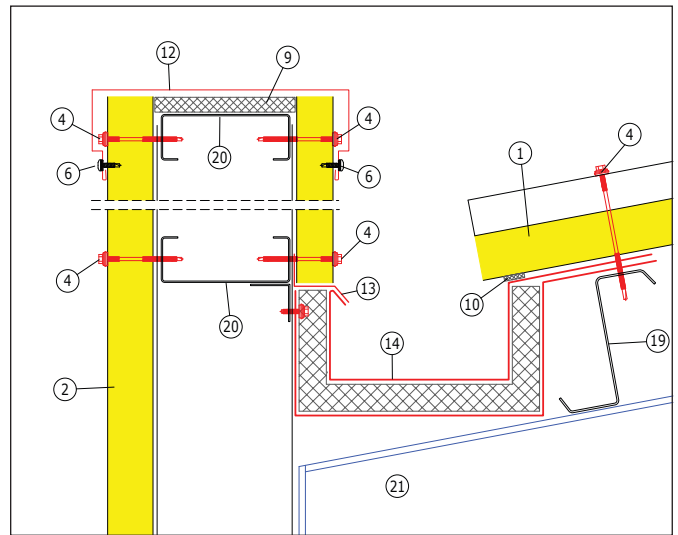
R25.002	Standardized		Upon request	
Dimensions (mm)	C: -	α° : -	C:	α° :
	D: -		D:	
	E: -		E:	
	F: -		F:	
Opening (mm)	$\Sigma: -$		$\Sigma: \text{max } 1.250$	
Length (mm)	L: 4.000		L: 3.000 - 4.000 - 6.000	
Thickness (mm)	t: 1,50		t: 1,00 - 3,00	
Colour (RAL)	GALVANIZED		UPON REQUEST	

Flashings and accessories

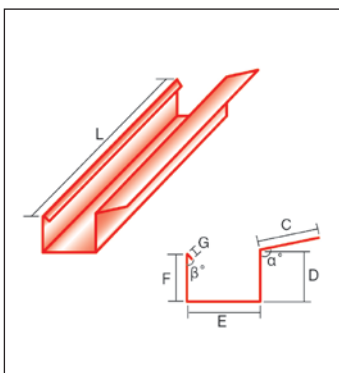


R26 Eave parapet insulated gutter - 1

- 1 ECOPANEL® RL.
- 2 ECOPANEL® WL/FW.
- 4 Self-Drilling fixing screw 5,5 - 6,3mm x L and metal washer with EPDM.
- 6 Drilling screw.
- 9 Insulating material (Polyurethane - Mineral wool).
- 10 Sealing strip.
- 12 Flashing.
- 13 Supporting flashing.
- 14 Insulated gutter.
- 15 Supporting angle.
- 19 «Z» Purlin.
- 20 «C» Purlin.
- 21 Metal frame.



R25.002	Standardized		Upon request	
Dimensions (mm)	C: -	α°: -	C:	α°:
	D: -		D:	
	E: -		E:	
	F: -		F:	
Opening (mm)	Σ: -		Σ: max 1.250	
Length (mm)	L: 4.000		L: 3.000 - 4.000 - 6.000	
Thickness (mm)	t: 1,50		t: 1,00 - 3,00	
Colour (RAL)	GALVANIZED		UPON REQUEST	



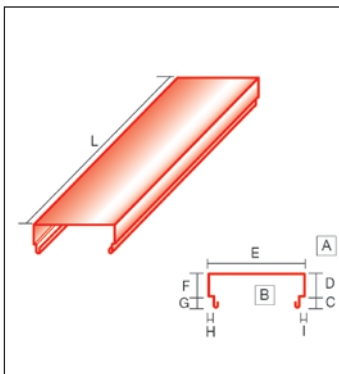
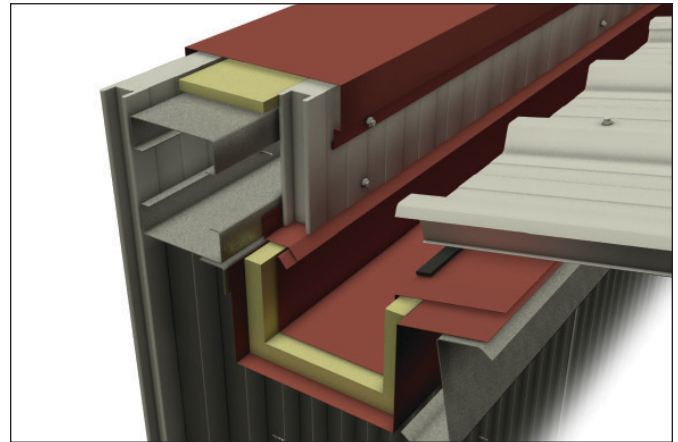
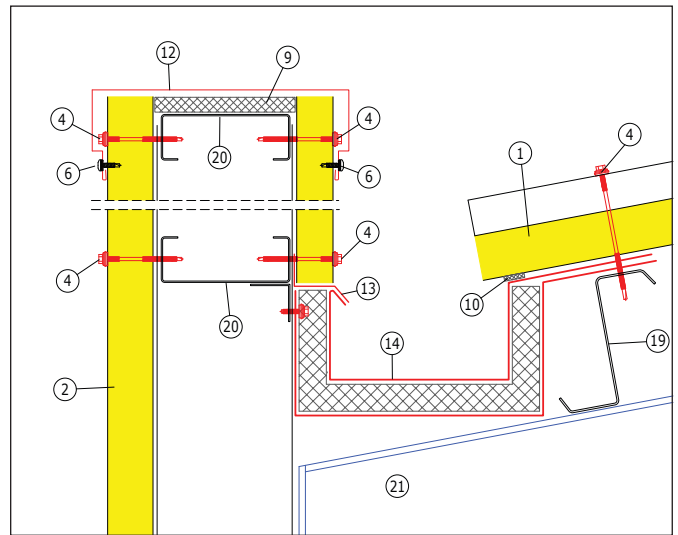
R26.001	Standardized		Upon request	
Dimensions (mm)	C: -	G: 20	C:	G: -
	D: -	α°: -	D:	α°: -
	E: -	β°: -	E:	β°: -
	F: -		F:	
Opening (mm)	Σ: -		Σ: max 1.250	
Length (mm)	L: 4.000		L: 3.000 - 4.000 - 6.000	
Thickness (mm)	t: 1,50		t: 1,00 - 3,00	
Colour (RAL)	GALVANIZED		UPON REQUEST	

Flashings and accessories

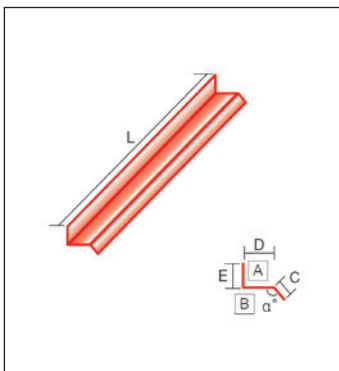


R26 Eave parapet insulated gutter - 2

- 1 ECOPANEL® RL.
- 2 ECOPANEL® WL/FW.
- 4 Self-Drilling fixing screw 5,5 - 6,3mm x L and metal washer with EPDM
- 6 Drilling screw.
- 9 Insulating material (Polyurethane - Mineral wool).
- 10 Sealing strip.
- 12 Flashing.
- 13 Supporting flashing.
- 14 Insulated gutter.
- 15 Supporting angle.
- 19 «Z» Purlin.
- 20 «C» Purlin.
- 21 Metal frame.



R25.001	Standardized		Upon request	
Dimensions (mm)	C: 30	G: 30	C:	G:
	D: 90	H: 20	D:	H:
	E: -	I: 20	E:	I:
	F: 90		F:	
Opening (mm)			Σ: max 1.250	
Length (mm)	L: 4.000		L: 1.000 ~ 6.000	
Thickness (mm)	t: 0,50		t: 0,60 - 0,75	
Colour (RAL)	9002 - 9006 - 1015 - 3003		UPON REQUEST	



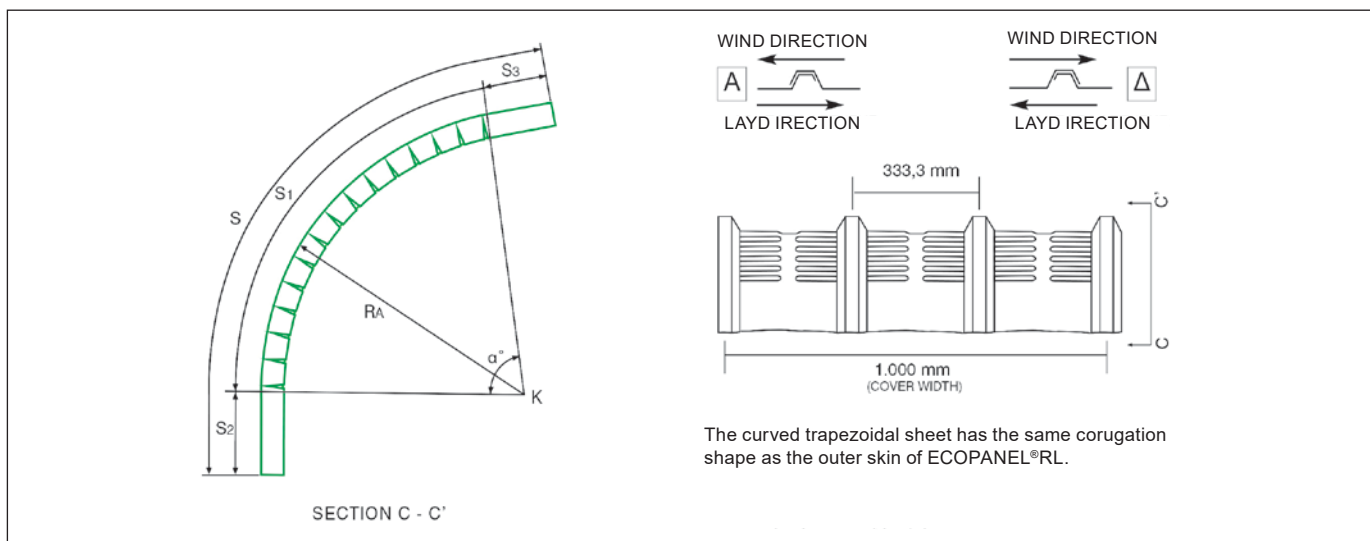
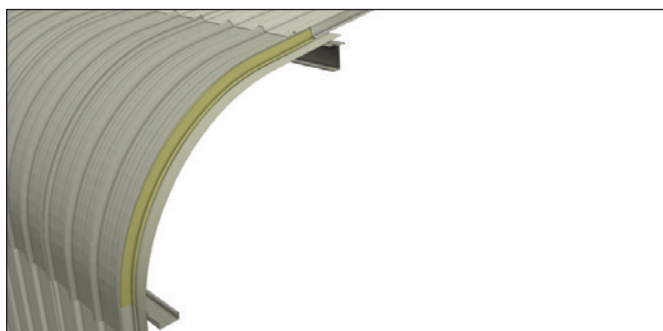
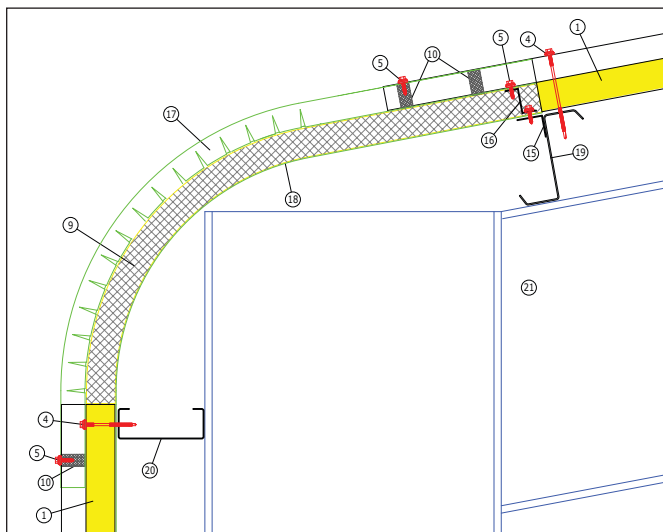
R26.002	Standardized		Upon request	
Dimensions (mm)	C: 30	α°: 130	C:	α°:
	D: 5 + W		D:	
	E: 60		E:	
Opening (mm)	Σ: 95 + W (panel's thickness)		Σ: max 1.250	
Length (mm)	L: 4.000		L: 1.000 ~ 6.000	
Thickness (mm)	t: 0,50		t: 0,60 - 0,75	
Colour (RAL)	9002 - 9006 - 1015 - 3003		UPON REQUEST	

Flashings and accessories



R27 Curved eave without gutter

- 1 ECOPANEL® RL.
- 4 Self-Drilling fixing screw 5,5 - 6,3mm x L and metal washer with EPDM.
- 5 Self-Drilling joint screw 5,5mm x L and metal washer with EPDM.
- 9 Insulating material (Polyurethane - Mineral wool).
- 10 Sealing strip.
- 15 Supporting angle.
- 16 Stand-off in «Z» shape.
- 17 Curved outer trapezoidal sheet (crimped).
- 18 Flat metal sheet .
- 19 «Z» Purlin.
- 20 «C» Purlin.
- 21 Metal frame.



Total length calculation table

S3: 200 mm (standardized) min: 150 mm
 S2: 600 mm (standardized) min: 500 mm
 $S1: 2nRA \frac{\alpha^\circ}{360^\circ} \text{ mm} = nRA \frac{\alpha^\circ}{180^\circ} \text{ mm}$
 $S = S1 + S2 + S3 = \text{max } 2.000 \text{ mm}$
 $RA = \text{min } 450 \text{ mm} - \text{max } 600 \text{ mm}$

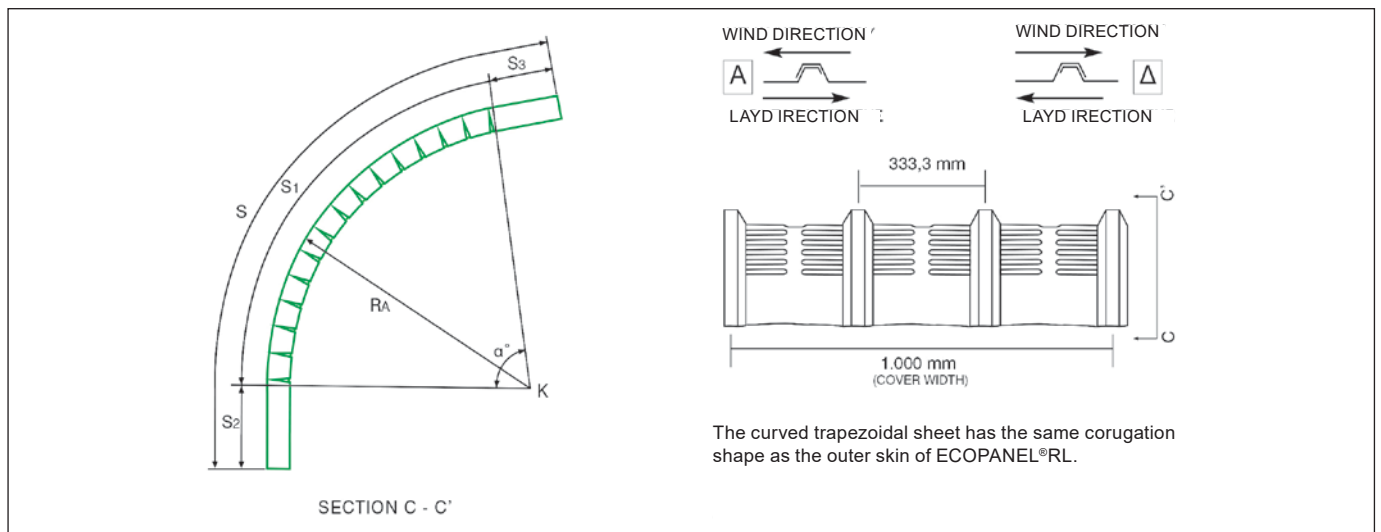
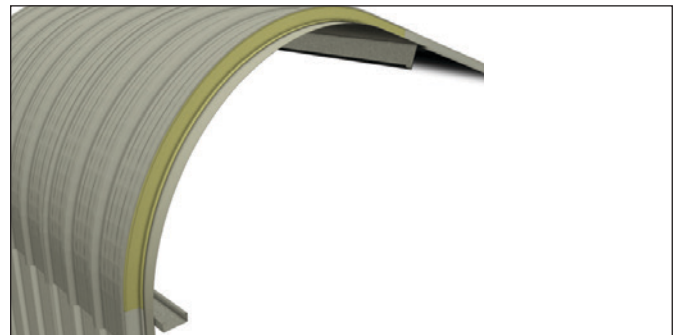
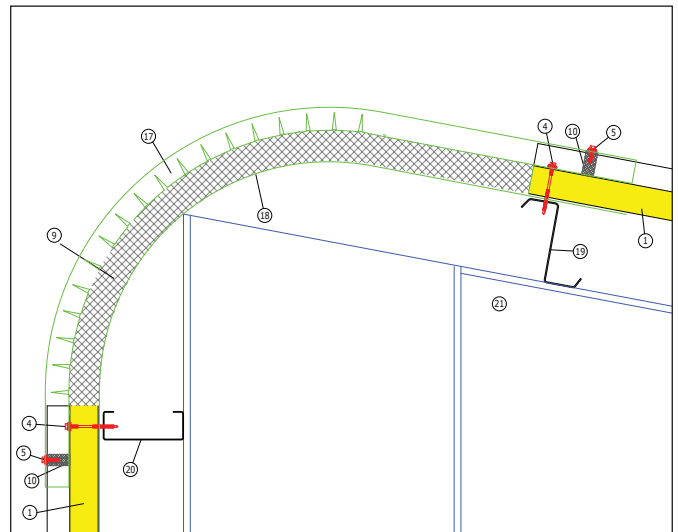
R27.001	Upon request	
Dimensions (mm)	S1:	α° :
	S2:	
	S3:	
Width (mm)	Σ : 1.000 USEFUL	
Length (mm)	S:	
Thickness (mm)	t: 0,60	
Colour (RAL)	UPON REQUEST (STANDARDIZED RAL 9006)	
Type	A <input type="checkbox"/> ó B <input type="checkbox"/>	

Flashings and accessories



R28 Curved eave insulated gutter

- 1 ECOPANEL® RL.
- 4 Self-Drilling fixing screw 5,5 - 6,3mm x L and metal washer with EPDM.
- 5 Self-Drilling joint screw 5,5mm x L and metal washer with EPDM.
- 9 Insulating material (Polyurethane - Mineral wool).
- 10 Sealing strip.
- 17 Curved outer trapezoidal sheet (crimped).
- 18 Flat metal sheet.
- 19 «Z» Purlin.
- 20 «C» Purlin.
- 21 Metal frame.



Total length calculation table

S3: 200 mm (standardized) min: 150 mm
 S2: 600 mm (standardized) min: 500 mm
 $S1: 2nRA \frac{\alpha^\circ}{360^\circ} \text{ mm} = nRA \frac{\alpha^\circ}{180^\circ} \text{ mm}$
 $S = S1 + S2 + S3 = \text{max } 2.000 \text{ mm}$
 $RA = \text{min } 450 \text{ mm} - \text{max } 600 \text{ mm}$

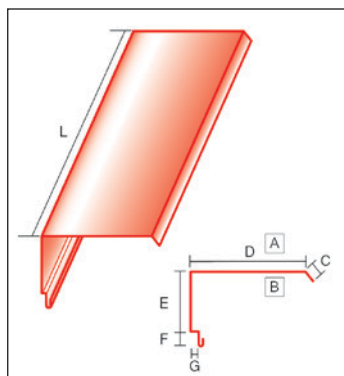
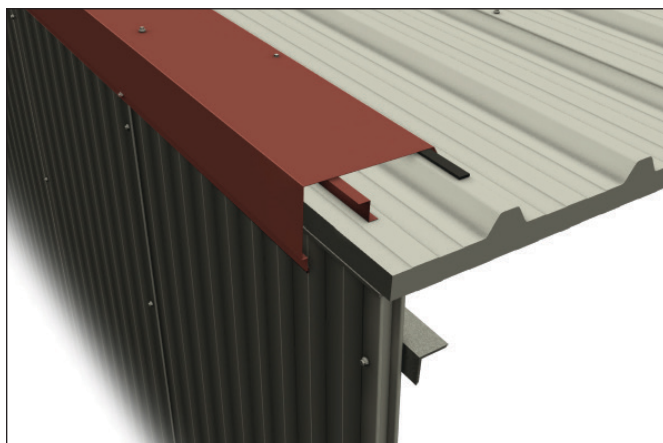
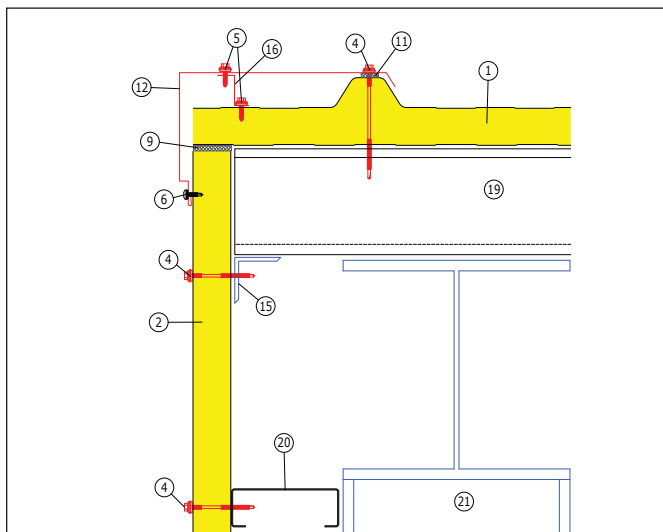
R28.001	Upon request	
Dimensions (mm)	S1:	α° :
	S2:	
	S3:	
Width (mm)	Σ : 1.000 USEFUL	
Length (mm)	S:	
Thickness (mm)	t: 0,60	
Colour (RAL)	UPON REQUEST (STANDARDIZED RAL 9006)	
Type	A <input type="checkbox"/> ó B <input type="checkbox"/>	

Flashings and accessories

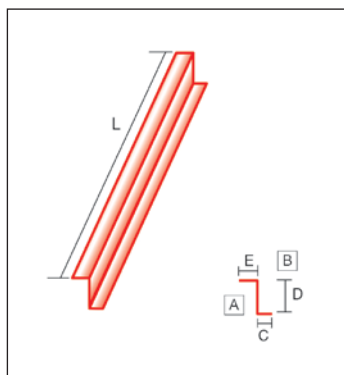


R40 Verge wall cladding

- 1 ECOPANEL® RL.
- 2 ECOPANEL® WL/FW.
- 4 Self-Drilling fixing screw 5,5 - 6,3mm x L and metal washer with EPDM.
- 5 Self-Drilling joint screw 5,5mm x L and metal washer with EPDM.
- 6 Drilling screw.
- 9 Insulating material (Polyurethane - Mineral wool).
- 11 Butyl tape.
- 12 Flashing.
- 15 Supporting angle.
- 16 Stand-off in «Z» shape.
- 19 «Z» Purlin.
- 20 «C» Purlin.
- 21 Metal frame.



R40.001	Standardized		Upon request	
Dimensions (mm)	C: 25	G: 20	C: 25	G:
	D: -	α° : 123	D:	α° :
	E: 100 + W		E:	
	F: 30		F:	
Opening (mm)			Σ : max 1.250	
Length (mm)	L: 4.000		L: 1.000 ~ 6.000	
Thickness (mm)	t: 0,50		t: 0,60 - 0,75	
Colour (RAL)	9002 - 9006 - 1015 - 3003		UPON REQUEST	



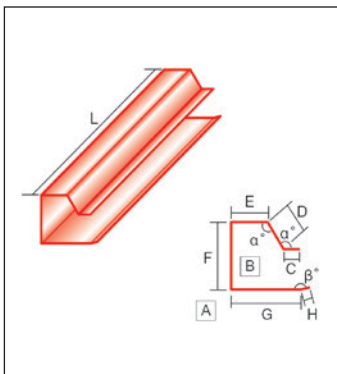
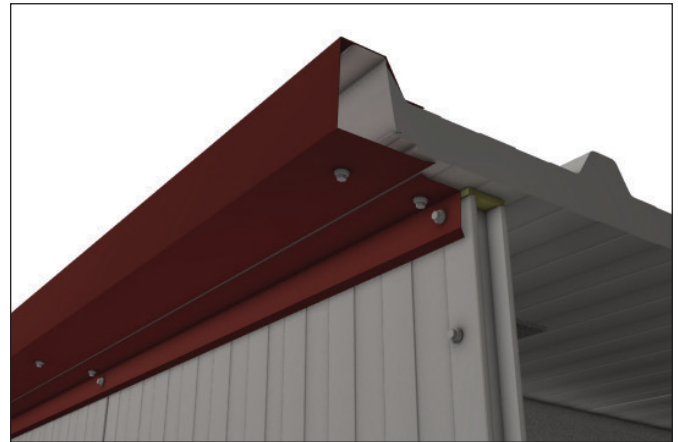
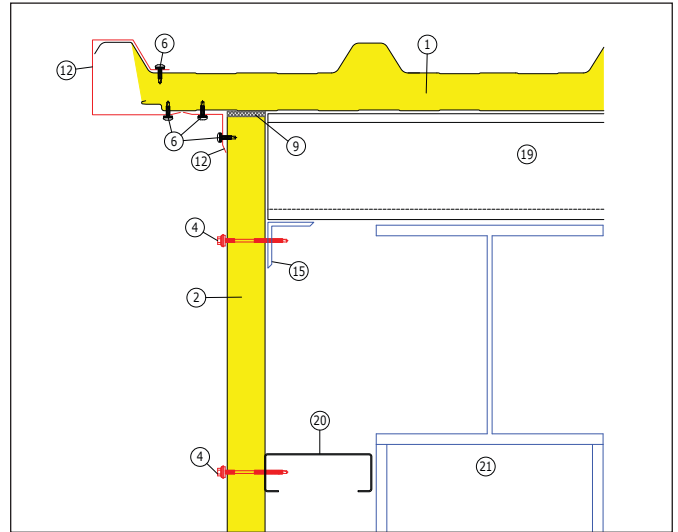
R40.002	Standardized		Upon request	
Dimensions (mm)	C: 30		C: X	
	D: 42		D: X	
	E: 30		E: X	
Opening (mm)	Σ : 102		Σ : max 1.250	
Length (mm)	L: 3.000		L: 1.000 ~ 6.000	
Thickness (mm)	t: 0,50		t: 0,60 - 0,75	
Colour (RAL)	9002 - 9006 - 1015 - 3003		UPON REQUEST	

Flashings and accessories

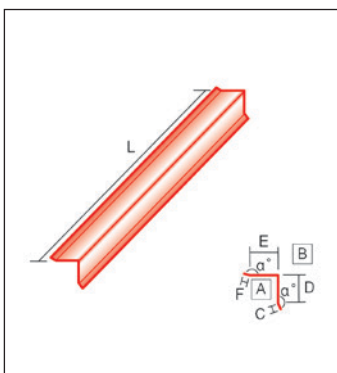


R41 Verge wall cladding (start of ECOPANEL®)

- 1 ECOPANEL® RL.
- 2 ECOPANEL® WL/FW.
- 4 Self-Drilling fixing screw 5,5 - 6,3mm x L and metal washer with EPDM.
- 6 Drilling screw.
- 9 Insulating material (Polyurethane - Mineral wool).
- 12 Flashing.
- 15 Supporting angle.
- 19 «Z» Purlin.
- 20 «C» Purlin.
- 21 Metal frame.



R41.001	Standardized		Upon request	
Dimensions (mm)	C: 20	G: 110	C: 20	G:
	D: 50	H: 10	D: 50	H: 10
	E: 55	α° : 130	E:	α° : 130
	F: 40 + W	β° : 170	F: 40 + W	β° : 170
Opening (mm)	Σ : 285 + W (panel's thickness)		Σ : max 1.250	
Length (mm)	L: 4.000		L: 1.000 ~ 6.000	
Thickness (mm)	t: 0,50		t: 0,60 - 0,75	
Colour (RAL)	9002 - 9006 - 1015 - 3003		UPON REQUEST	



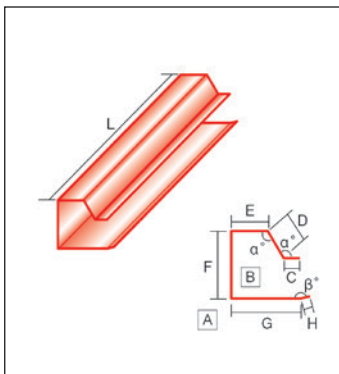
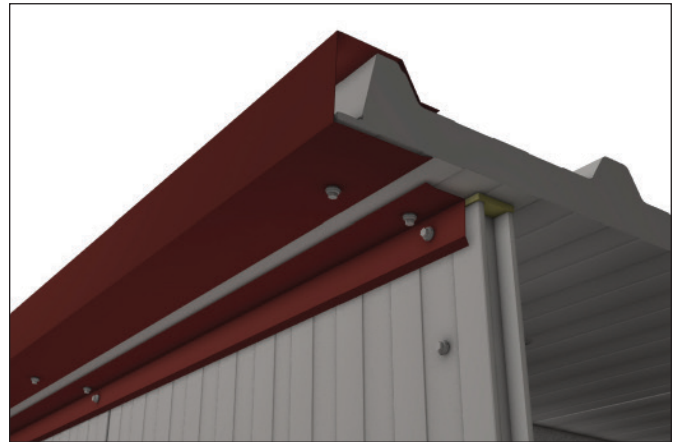
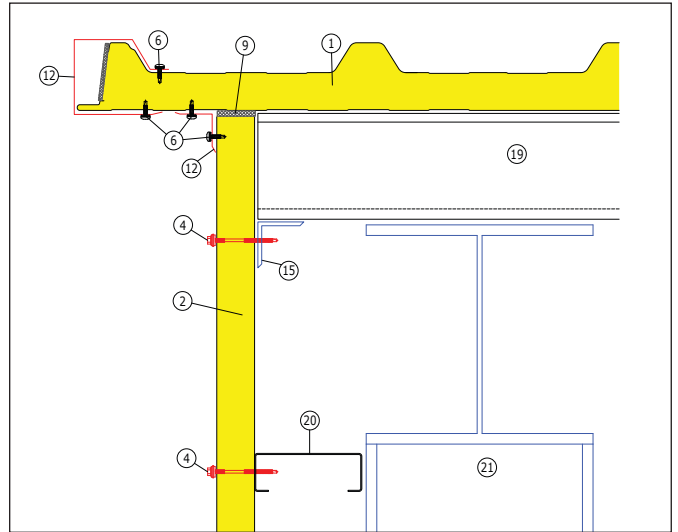
R41.002	Standardized		Upon request	
Dimensions (mm)	C: 15	α° : 170	C:	α° : 170
	D: 65		D:	
	E: 65		E:	
	F: 15		F:	
Opening (mm)	Σ : 160		Σ : max 1.250	
Length (mm)	L: 4.000		L: 1.000 ~ 6.000	
Thickness (mm)	t: 0,50		t: 0,60 - 0,75	
Colour (RAL)	9002 - 9006 - 1015 - 3003		UPON REQUEST	

Flashings and accessories

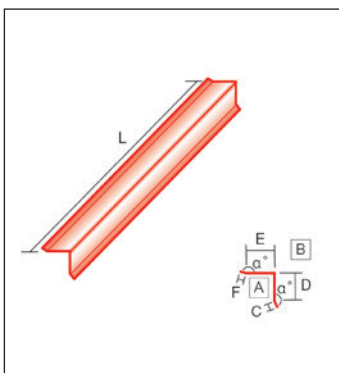


R42 Verge wall cladding (end of ECOPANEL®)

- 1 ECOPANEL® RL.
- 2 ECOPANEL® WL/FW.
- 4 Self-Drilling fixing screw 5,5 - 6,3mm x L and metal washer with EPDM.
- 6 Drilling screw.
- 9 Insulating material (Polyurethane - Mineral wool).
- 12 Flashing.
- 15 Supporting angle.
- 19 «Z» Purlin.
- 20 «C» Purlin.
- 21 Metal frame.



R42.001	Standardized		Upon request	
Dimensions (mm)	C: 20	G: 40	C: 20	G:
	D: 50	H: 10	D: 50	H: 10
	E: 75	α° : 130	E:	α° : 130
	F: 40 + W	β° : 170	F: 40 + W	β° : 170
Opening (mm)	Σ : 235 + W (panel's thickness)		Σ : max 1.250	
Length (mm)	L: 4.000		L: 1.000 ~ 6.000	
Thickness (mm)	t: 0,50		t: 0,60 - 0,75	
Colour (RAL)	9002 - 9006 - 1015 - 3003		UPON REQUEST	



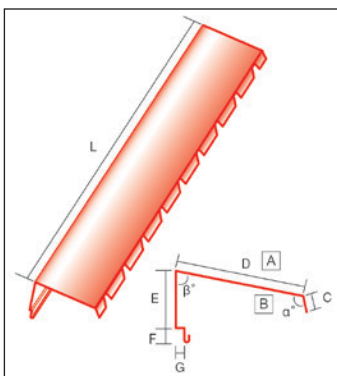
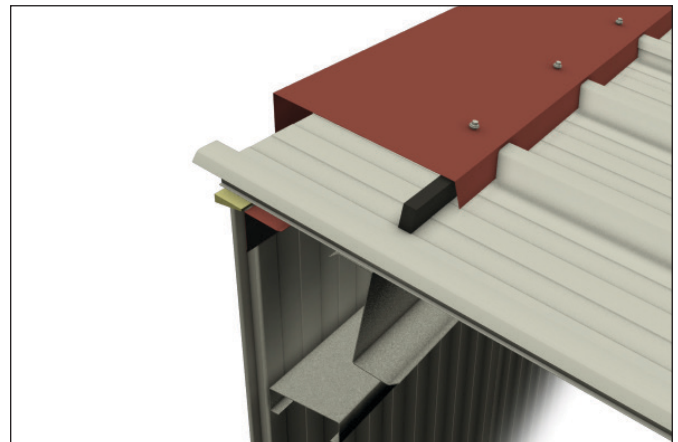
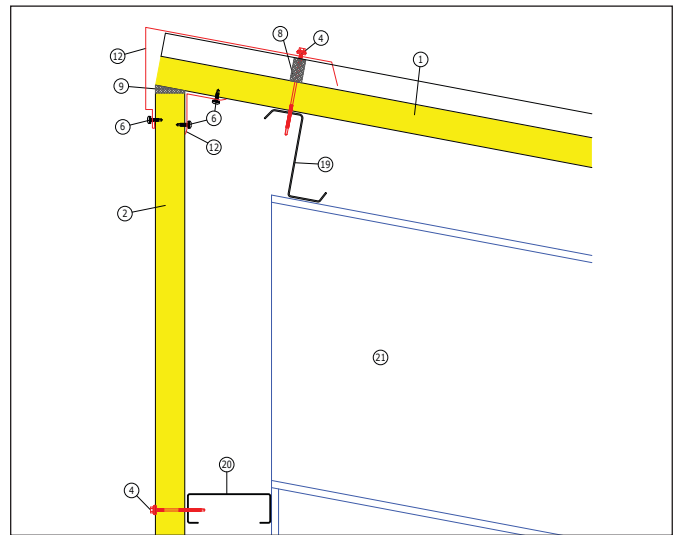
R41.002	Standardized		Upon request	
Dimensions (mm)	C: 15	α° : 170	C:	α° : 170
	D: 65		D:	
	E: 65		E:	
	F: 15		F:	
Opening (mm)	Σ : 160		Σ : max 1.250	
Length (mm)	L: 4.000		L: 1.000 ~ 6.000	
Thickness (mm)	t: 0,50		t: 0,60 - 0,75	
Colour (RAL)	9002 - 9006 - 1015 - 3003		UPON REQUEST	

Flashings and accessories

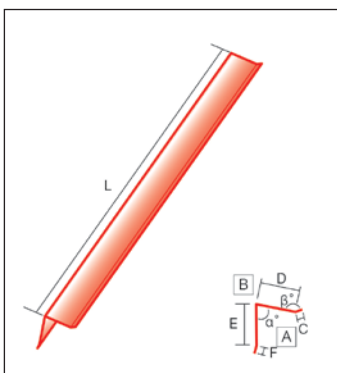


R43 Mono ridge

- 1 ECOPANEL® RL.
- 2 ECOPANEL® WL/FW.
- 4 Self-Drilling fixing screw 5,5 - 6,3mm x L and metal washer with EPDM.
- 6 Drilling screw.
- 8 Foam sealing material.
- 9 Insulating material (Polyurethane - Mineral wool).
- 12 Flashing.
- 19 «Z» Purlin.
- 20 «C» Purlin.
- 21 Metal frame.



R43.001	Standardized		Upon request	
Dimensions (mm)	C: 45	G: 20	C: 45	G:
	D: 275	α° : 110	D:	α° : 110
	E: 100 + W	β° :	E:	β° :
	F: 30		F:	
Opening (mm)	Σ : 460 + W (panel's thickness)		Σ : max 1.250	
Length (mm)	L: 3.000		L: 3.000	
Thickness (mm)	t: 0,50		t: 0,60 - 0,75	
Colour (RAL)	9002 - 9006 - 1015 - 3003		UPON REQUEST	



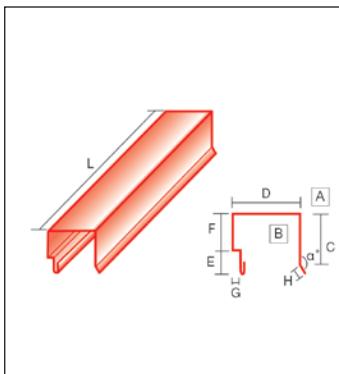
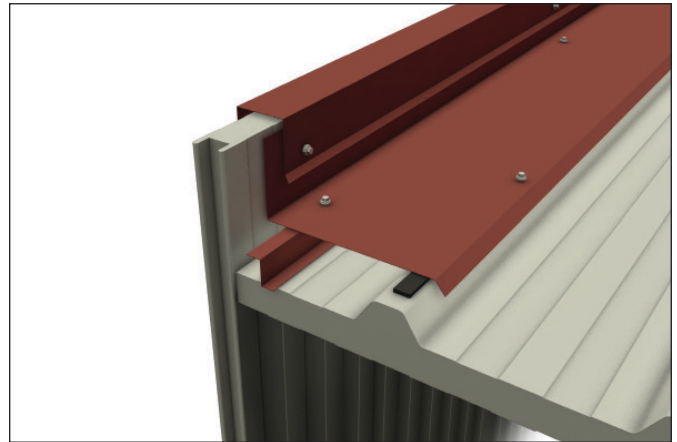
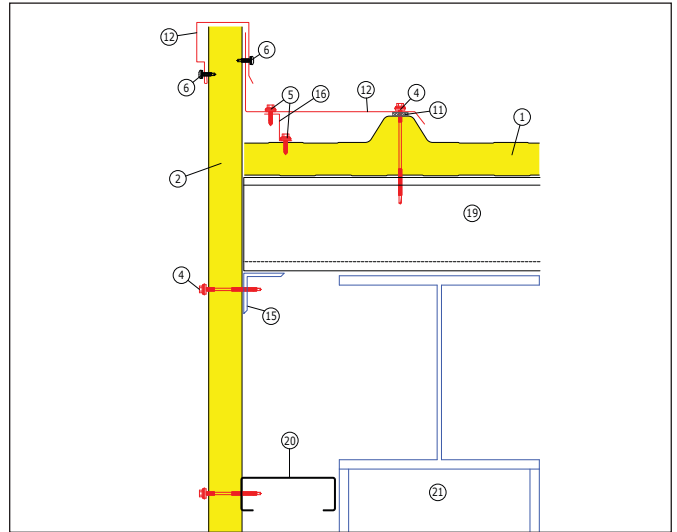
R43.002	Standardized		Upon request	
Dimensions (mm)	C: 15	α° :	C:	α° :
	D: 65	β° : 170	D:	β° :
	E: 65		E:	
	F: 15		F:	
Opening (mm)	Σ : 160		Σ : max 1.250	
Length (mm)	L: 4.000		L: 1.000 ~ 6.000	
Thickness (mm)	t: 0,50		t: 0,60 - 0,75	
Colour (RAL)	9002 - 9006 - 1015 - 3003		UPON REQUEST	

Flashings and accessories

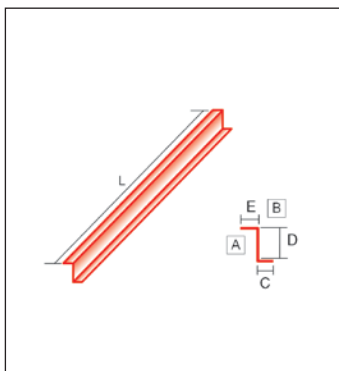


R44 Verge parapet cladding

- 1 ECOPANEL® RL.
- 2 ECOPANEL® WL/FW.
- 4 Self-Drilling fixing screw 5,5 - 6,3mm x L and metal washer with EPDM.
- 5 Self-Drilling joint screw 5,5mm x L and metal washer with EPDM.
- 6 Drilling screw.
- 11 Butile tape.
- 12 Flashing.
- 15 Supporting angle.
- 16 Stand-off in «Z» shape.
- 19 «Z» Purlin.
- 20 «C» Purlin.
- 21 Metal frame.



R44.001	Standardized		Upon request	
Dimensions (mm)	C: 100	G: 20	C:	G:
	D: 20 + W	H: 15	D:	H:
	E: 30	α°: 170	E:	
	F: 110		F:	
Opening (mm)	Σ: 310 + W (panel's thickness)		Σ: max 1.250	
Length (mm)	L: 4.000		L: 1.000 ~ 6.000	
Thickness (mm)	t: 0,50		t: 0,60 - 0,75	
Colour (RAL)	9002 - 9006 - 1015 - 3003		UPON REQUEST	



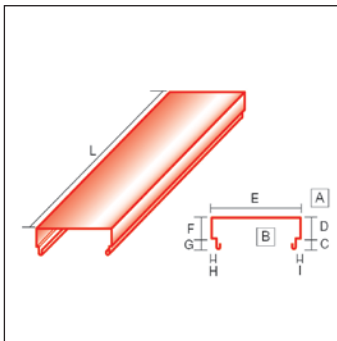
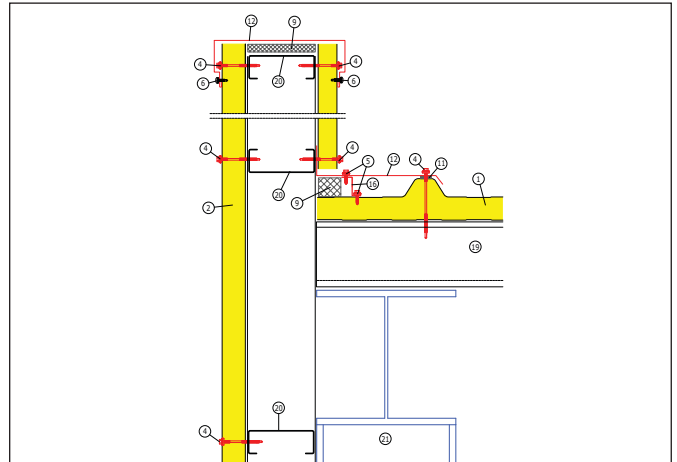
R40.002	Standardized		Upon request	
Dimensions (mm)	C: 30		C:	
	D: 42		D: 42	
	E: 30		E:	
Opening (mm)	Σ: 102		Σ: max 1.200	
Length (mm)	L: 4.000		L: 1.000 ~ 6.000	
Thickness (mm)	t: 0,50		t: 0,60 - 0,75	
Colour (RAL)	9002 - 9006 - 1015 - 3003		UPON REQUEST	

Flashings and accessories

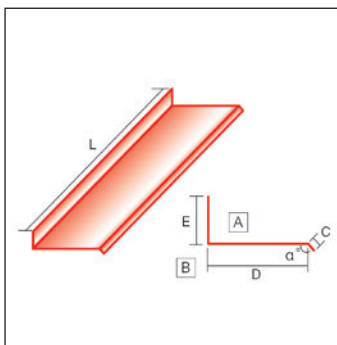


R45 Verge parapet cladding with sub-construction

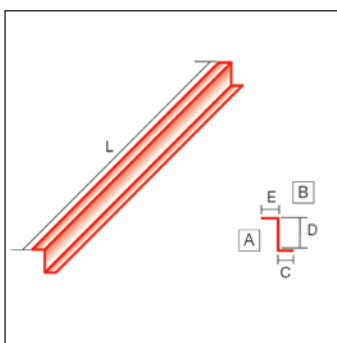
- 1 ECOPANEL® RL.
- 2 ECOPANEL® WL/FW.
- 4 Self-Drilling fixing screw 5,5 - 6,3mm x L and metal washer with EPDM.
- 5 Self-Drilling joint screw 5,5mm x L and metal washer with EPDM.
- 6 Drilling screw.
- 9 Insulating material (Polyurethane - Mineral wool).
- 11 Butile tape.
- 12 Flashing.
- 16 Stand-off in «Z» shape.
- 19 «Z» Purlin.
- 20 «C» Purlin.
- 21 Metal frame.



R25.001	Standardized		Upon request	
Dimensions (mm)	C: 30	G: 30	C:	G:
	D: 90	H: 20	D:	H:
	E:	I: 20	E:	I:
	F: 90		F:	
Opening (mm)	Σ: 310 + E		Σ: max 1.250	
Length (mm)	L: 4.000		L: 1.000 ~ 6.000	
Thickness (mm)	t: 0,50		t: 0,60 - 0,75	
Colour (RAL)	9002 - 9006 - 1015 - 3003		UPON REQUEST	



R44.002	Standardized		Upon request	
Dimensions (mm)	C: 30	α°: 123	C: 30	α°: 123
	D:		D:	
	E:		E:	
			F:	
Opening (mm)	Σ:		Σ: max 1.250	
Length (mm)	L: 4.000		L: 1.000 ~ 6.000	
Thickness (mm)	t: 0,50		t: 0,60 - 0,75	
Colour (RAL)	9002 - 9006 - 1015 - 3003		UPON REQUEST	



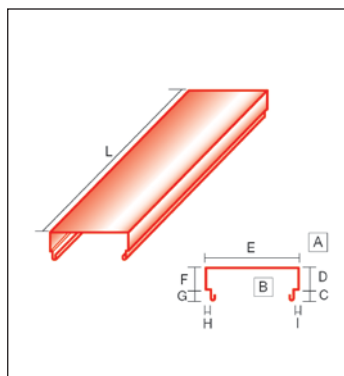
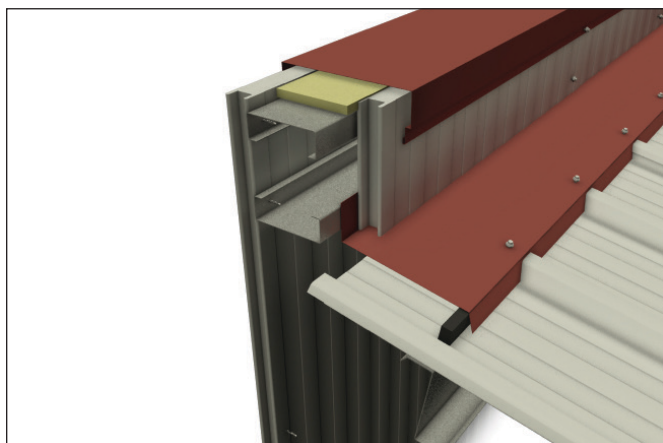
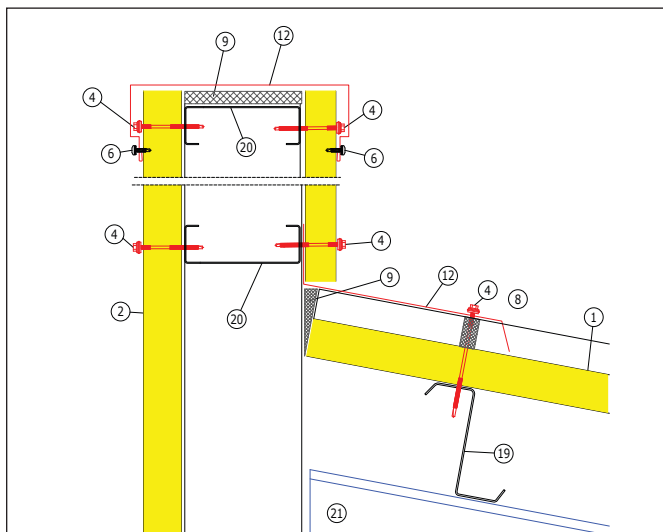
R40.002	Standardized		Upon request	
Dimensions (mm)	C: 30		C: X	
	D: 42		D: X	
	E: 30		E: X	
Opening (mm)	Σ: 102		Σ: max 1.250	
Length (mm)	L: 4.000		L: 1.000 ~ 6.000	
Thickness (mm)	t: 0,50		t: 0,60 - 0,75	
Colour (RAL)	9002 - 9006 - 1015 - 3003		UPON REQUEST	

Flashings and accessories

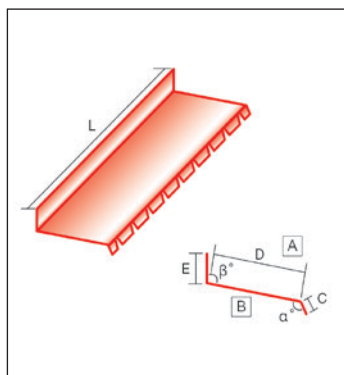


R46 Mono ridge parapet cladding

- 1 ECOPANEL® RL.
- 2 ECOPANEL® WL/FW.
- 4 Self-Drilling fixing screw 5,5 - 6,3mm x L and metal washer with EPDM.
- 6 Drilling screw.
- 8 Foam sealing material.
- 9 Insulating material (Polyurethane - Mineral wool).
- 12 Flashing.
- 19 «Z» Purlin.
- 20 «C» Purlin.
- 21 Metal frame.



R25.001	Standardized		Upon request	
Dimensions (mm)	C: 30	G: 30	C:	G:
	D: 90	H: 20	D:	H:
	E:	I: 20	E:	I:
	F: 90		F:	
Opening (mm)	$\Sigma: 310 + E$		$\Sigma: \text{max } 1.250$	
Length (mm)	L: 4.000		L: 1.000 ~ 6.000	
Thickness (mm)	t: 0,50		t: 0,60 - 0,75	
Colour (RAL)	9002 - 9006 - 1015 - 3003		UPON REQUEST	



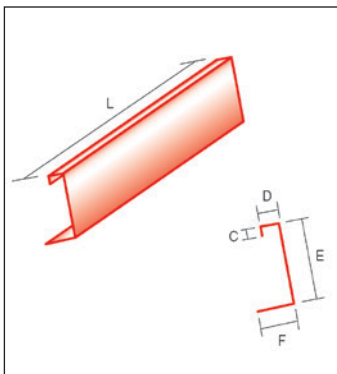
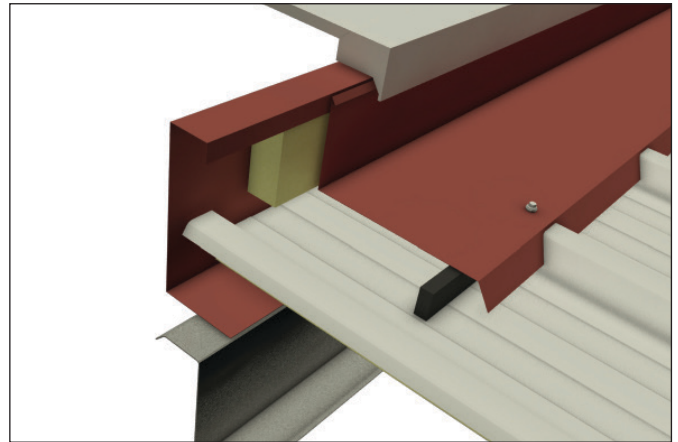
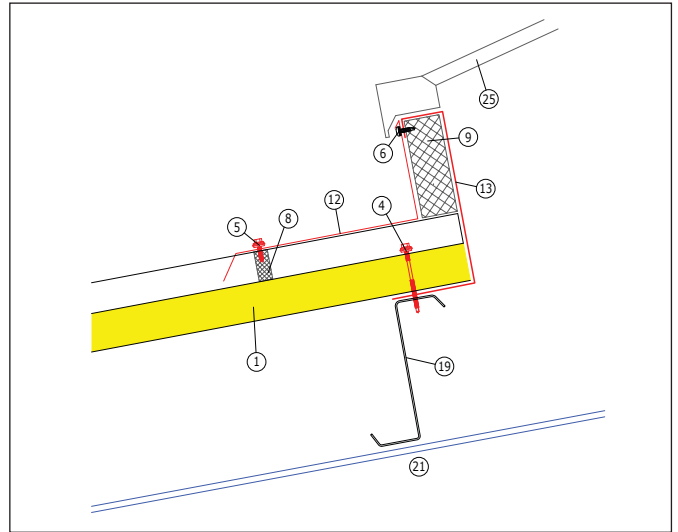
R46.001	Standardized		Upon request	
Dimensions (mm)	C: 45	$\alpha^\circ: 110$	C: 45	$\alpha^\circ: 110$
	D: 275	$\beta^\circ:$	D:	$\beta^\circ:$
	E: 80		E:	
			F:	
Opening (mm)	$\Sigma: 400$		$\Sigma: \text{max } 1.250$	
Length (mm)	L: 3.000		L: 3.000	
Thickness (mm)	t: 0,50		t: 0,60 - 0,75	
Colour (RAL)	9002 - 9006 - 1015 - 3003		UPON REQUEST	

Flashings and accessories

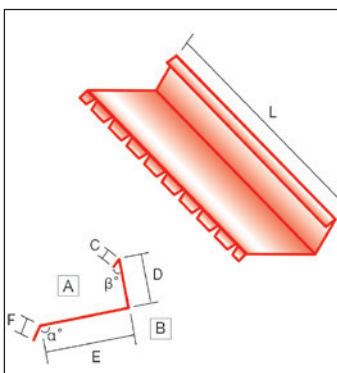


R62 ECOPANEL® assembly with Skylight opening (length section bottom)

- 1 ECOPANEL® RL.
- 4 Self-Drilling fixing screw 5,5 - 6,3mm x L and metal washer with EPDM.
- 5 Self-Drilling joint screw 5,5mm x L and metal washer with EPDM.
- 6 Drilling screw.
- 8 Foam sealing material.
- 9 Insulating material (Polyurethane - Mineral wool).
- 12 Flashing.
- 13 Supporting flashing.
- 19 «Z» Purlin.
- 21 Metal frame.
- 25 Skylight - Roof light ventilator.



R62.001	Standardized		Upon request	
Dimensions (mm)	C: 50		C:	
	D: 50		D:	
	E: 150 + W		E:	
	F: 100		F: -	
Opening (mm)	$\Sigma: 350 + W$ (panel's thickness)		$\Sigma: \text{max } 1.250$	
Length (mm)	L: 4.000		L: 3.000 - 4.000 - 6.000	
Thickness (mm)	t: 2,00		t: 1,00 - 3,00	
Colour (RAL)	GALVANIZED		UPON REQUEST	



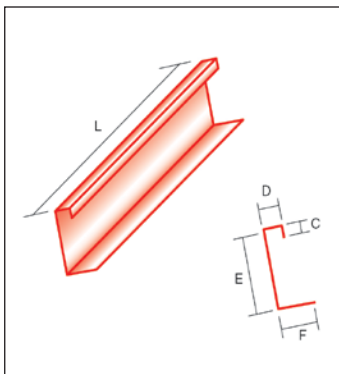
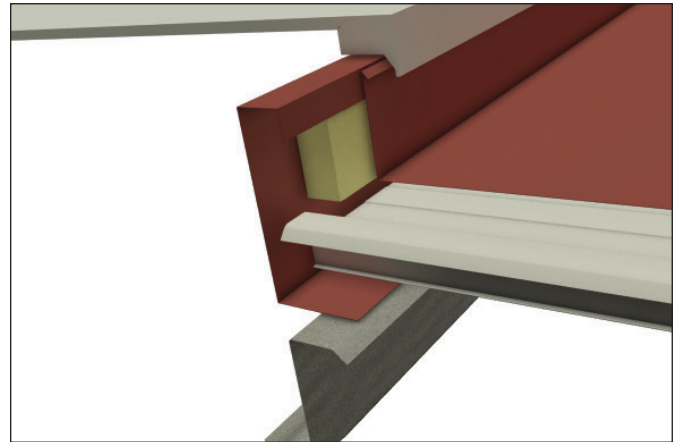
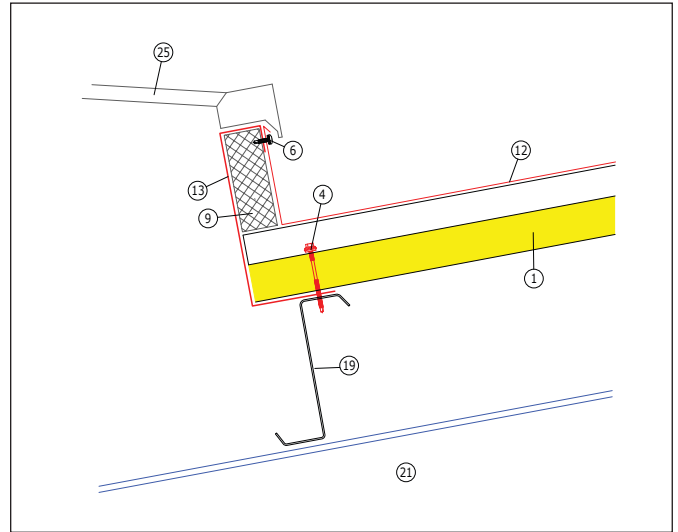
R62.002	Standardized		Upon request	
Dimensions (mm)	C: 20	$\alpha^\circ: 110$	C: 20	$\alpha^\circ: 110$
	D: 150 + W	$\beta^\circ: 60$	D: -	$\beta^\circ: 60$
	E: 275		E: -	
	F: 45		F: 40	
Opening (mm)	$\Sigma: 450 + W$ (panel's thickness)		$\Sigma: \text{max } 1.250$	
Length (mm)	L: 3.000		L: 3.000	
Thickness (mm)	t: 0,50		t: 0,75	
Colour (RAL)	9002 - 9006 - 1015 - 3003		UPON REQUEST	

Flashings and accessories

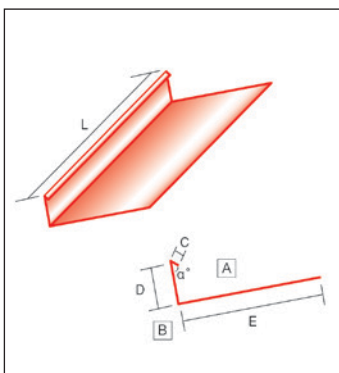


R63 ECOPANEL® assembly with Skylight opening (length section upper)

- 1 ECOPANEL® RL.
- 4 Self-Drilling fixing screw 5,5 - 6,3mm x L and metal washer with EPDM.
- 6 Drilling screw.
- 9 Insulating material (Polyurethane - Mineral wool).
- 12 Flashing.
- 13 Supporting flashing.
- 19 «Z» Purlin.
- 21 Metal frame.
- 25 Skylight - Roof light ventilator.



R26.001	Standardized		Upon request	
Dimensions (mm)	C: 50		C:	
	D: 50		D:	
	E: 150 + W		E:	
	F: 100		F: -	
Opening (mm)	$\Sigma: 350 + W$ (panel's thickness)		$\Sigma: \text{max } 1.250$	
Length (mm)	L: 4.000		L: 3.000 - 4.000 - 6.000	
Thickness (mm)	t: 2,00		t: 1,00 - 3,00	
Colour (RAL)	GALVANIZED		UPON REQUEST	



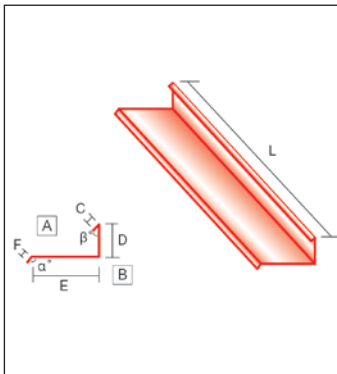
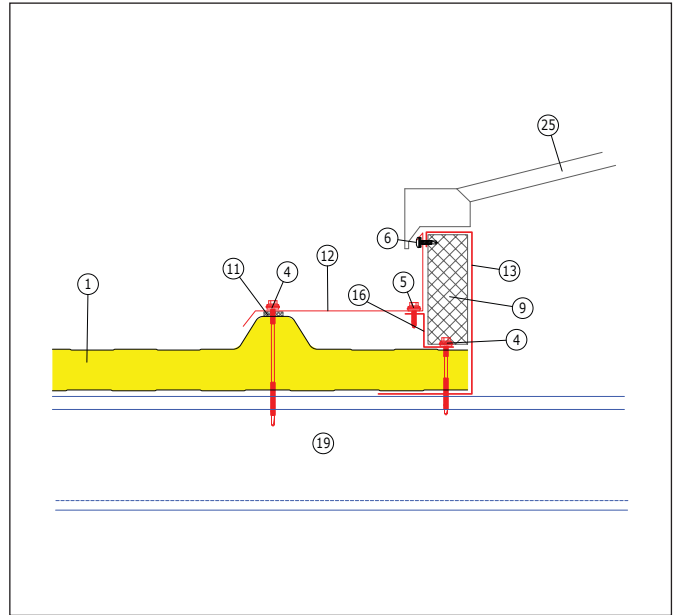
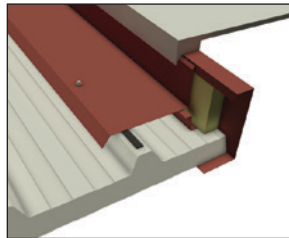
R63.001	Standardized		Upon request	
Dimensions (mm)	C: 20	$\alpha^\circ: 45$	C:	
	D: 150		D:	
	E: up to ridge		E:	
Opening (mm)	$\Sigma: -$		$\Sigma: \text{max } 1.250$	
Length (mm)	L: 3.000		L: 1.000 ~ 6.000	
Thickness (mm)	t: 0,50		t: 0,60 - 0,75	
Colour (RAL)	9002 - 9006 - 1015 - 3003		UPON REQUEST	

Flashings and accessories

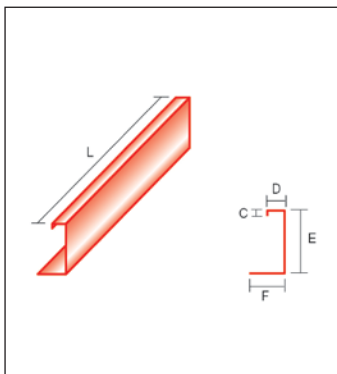


R64 ECOPANEL® assembly with Skylight opening (width section)

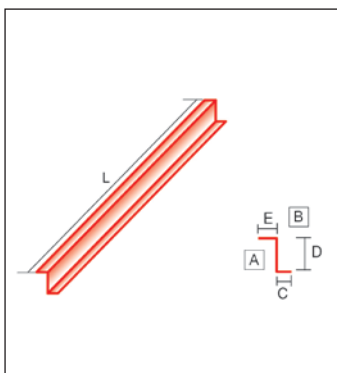
- 1 ECOPANEL® RL.
- 4 Self-Drilling fixing screw 5,5 - 6,3mm x L and metal washer with EPDM.
- 5 Self-Drilling joint screw 5,5mm x L and metal washer with EPDM.
- 9 Insulating material (Polyurethane - Mineral wool).
- 11 Butile tape.
- 13 Supporting flashing.
- 16 Stand-off in «Z» shape.
- 19 «Z» Purlin.
- 25 Skylight - Roof light ventilator.



R64.001	Standardized		Upon request	
Dimensions (mm)	C: 20	$\alpha^\circ: 123$	C:	
	D: 105	$\beta^\circ: 45^\circ$	D:	
	E:		E:	
	F: 30		F: 30	
Opening (mm)	$\Sigma:$		$\Sigma: \text{max } 1.250$	
Length (mm)	L: 4.000		L: 1.000 ~ 6.000	
Thickness (mm)	t: 0,50		t: 0,60 - 0,75	
Colour (RAL)	9002 - 9006 - 1015 - 3003		UPON REQUEST	

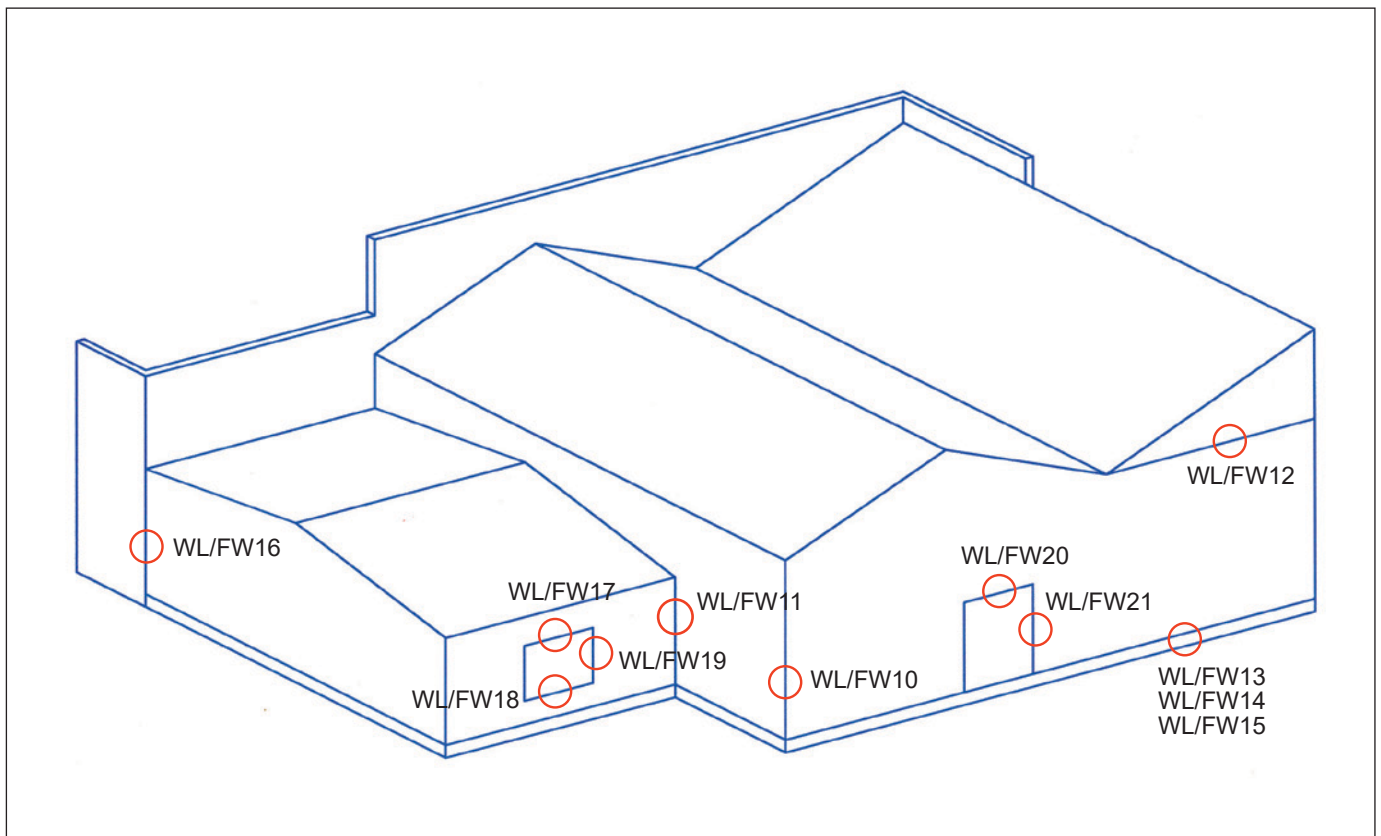


R62.001	Standardized		Upon request	
Dimensions (mm)	C: 50		C:	
	D:		D:	
	E: 150 + W		E:	
	F: 100		F: -	
Opening (mm)	$\Sigma: 350 + W + D$		$\Sigma: \text{max } 1.250$	
Length (mm)	L: 4.000		L: 3.000 - 4.000 - 6.000	
Thickness (mm)	t: 2,00		t: 1,00 - 3,00	
Colour (RAL)	GALVANIZED		UPON REQUEST	



R40.002	Standardized		Upon request	
Dimensions (mm)	C: 30		C: X	
	D: 42		D: X	
	E: 30		E: X	
Opening (mm)	$\Sigma: 102$		$\Sigma: X$	
Length (mm)	L: 4.000		L: 1.000 ~ 6.000	
Thickness (mm)	t: 0,50		t: 0,60 - 0,75	
Colour (RAL)	9002 - 9006 - 1015 - 3003		UPON REQUEST	

Details for Wall Panel ECOPANEL® WL/FW - vertical installation



WL/FW 10 External corner.

WL/FW 11 Internal corner.

WL/FW 12 Facade vertical prolongation (horizontal joint).

WL/FW 13 Drip detail N.1.

WL/FW 14 Drip detail N.2.

WL/FW 15 Drip detail N.3.

WL/FW 16 Joint to concrete/brick wall.

WL/FW 17 Section through window head.

WL/FW 18 Section through window sill.

WL/FW 19 Section through window jamb.

WL/FW 20 Section through door head.

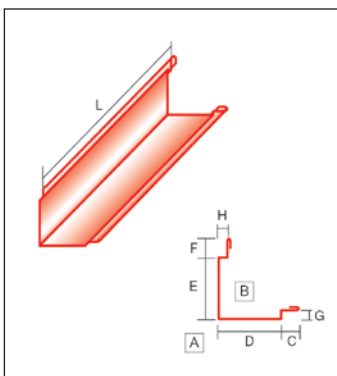
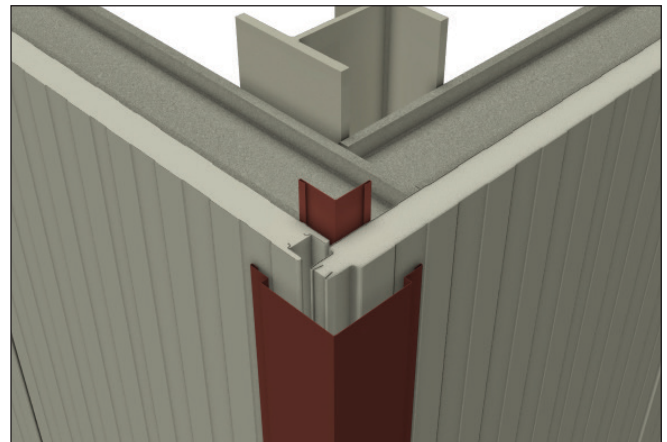
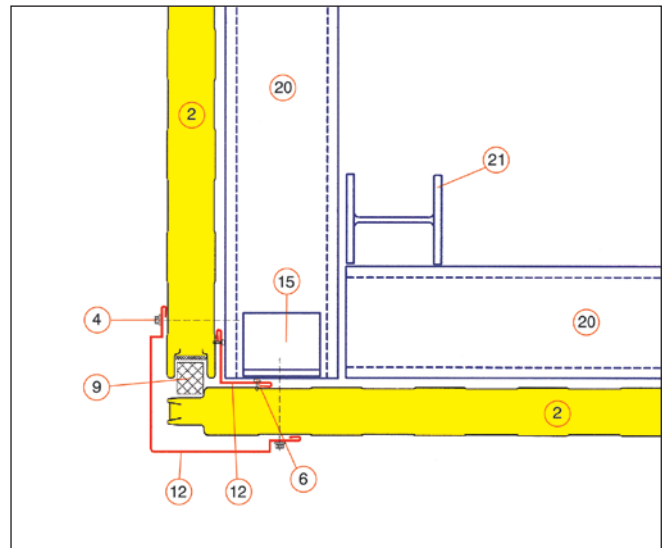
WL/FW 21 Section through door jamb.

Flashings and accessories

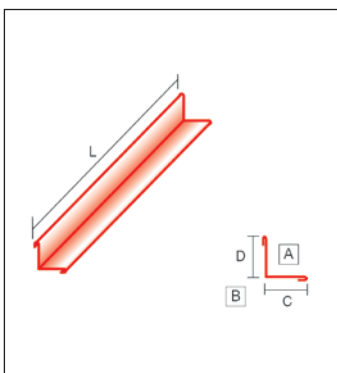


WL/FW10 External corner

- 2 ECOPANEL® WL/FW.
- 4 Self-Drilling fixing screw 5,5 - 6,3mm x L and metal washer with EPDM.
- 6 Drilling screw.
- 9 Insulating material (Polyurethane - Mineral wool).
- 12 Flashing.
- 15 Supporting angle.
- 20 «C» Purlin.
- 21 Metal frame.



WL/FW10.001	Standardized		Upon request	
Dimensions (mm)	C: 30	G: 20	C:	G:
	D: 80 + W	H: 20	D:	H:
	E: 80 + W		E:	
	F: 30		F:	
Opening (mm)	$\Sigma: 250 + 2W$		$\Sigma: \text{max } 1.250$	
Length (mm)	L: 4.000		L: 1.000 ~ 6.000	
Thickness (mm)	t: 0,50		t: 0,60 - 0,75	
Colour (RAL)	9002 - 9006 - 1015 - 3003		UPON REQUEST	



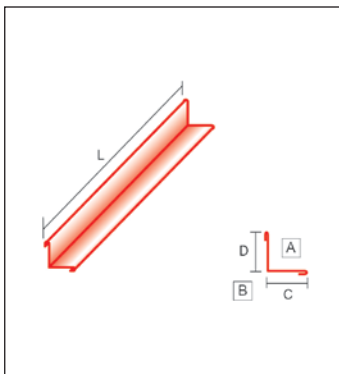
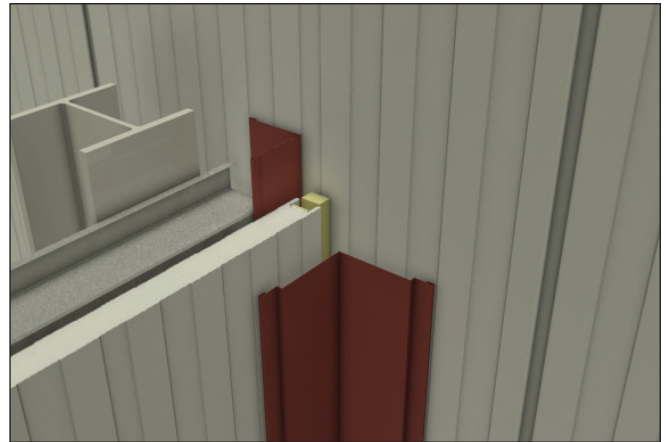
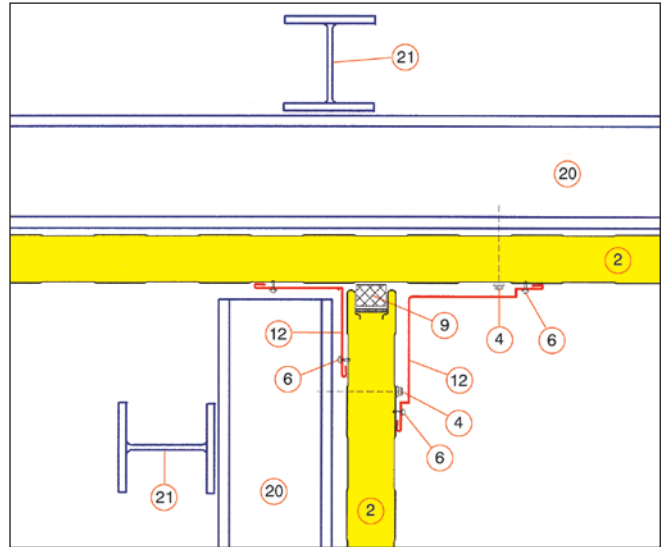
WL/FW10.002	Standardized		Upon request	
Dimensions (mm)	C: 65		C:	
	D: 65		D:	
			E:	
			F:	
Opening (mm)	$\Sigma: 160$		$\Sigma: \text{max } 1.250$	
Length (mm)	L: 4.000		L: 1.000 ~ 6.000	
Thickness (mm)	t: 0,50		t: 0,60 - 0,75	
Colour (RAL)	9002 - 9006 - 1015 - 3003		UPON REQUEST	

Flashings and accessories

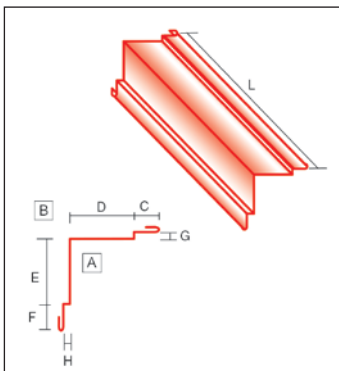


WL/FW11 Internal corner

- 2 ECOPANEL® WL/FW.
- 4 Self-Drilling fixing screw 5,5 - 6,3mm x L and metal washer with EPDM.
- 6 Drilling screw.
- 9 Insulating material (Polyurethane - Mineral wool).
- 12 Flashing.
- 20 «C» Purlin.
- 21 Metal frame.



WL/FW10.002	Standardized		Upon request	
Dimensions (mm)	C: 65		C:	
	D: 65		D:	
			E:	
			F:	
Opening (mm)	Σ: 160		Σ: max 1.250	
Length (mm)	L: 4.000		L: 1.000 ~ 6.000	
Thickness (mm)	t: 0,50		t: 0,60 - 0,75	
Colour (RAL)	9002 - 9006 - 1015 - 3003		UPON REQUEST	



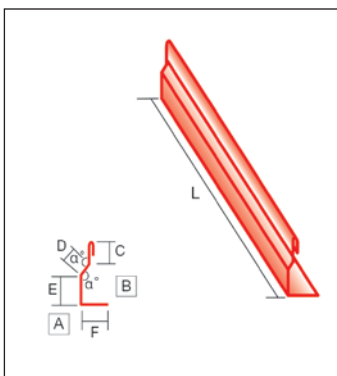
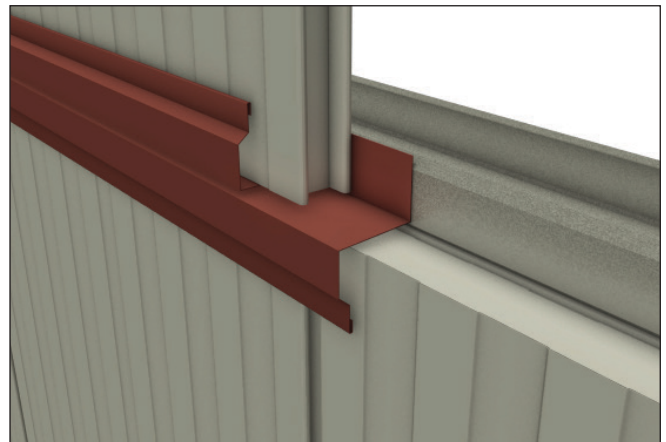
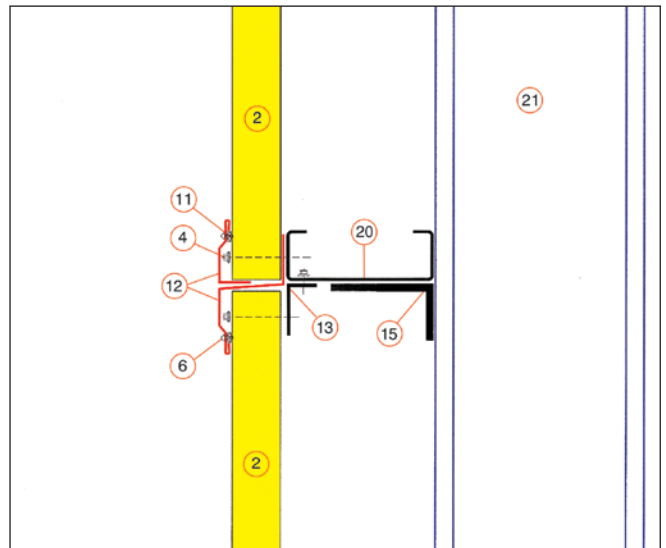
WL/FW11.001	Standardized		Upon request	
Dimensions (mm)	C: 30	G: 20	C:	
	D: 96	H: 20	D:	
	E: 96		E:	
	F: 30		F:	
Opening (mm)	Σ: 322		Σ: max 1.250	
Length (mm)	L: 4.000		L: 1.000 ~ 6.000	
Thickness (mm)	t: 0,50		t: 0,60 - 0,75	
Colour (RAL)	9002 - 9006 - 1015 - 3003		UPON REQUEST	

Flashings and accessories

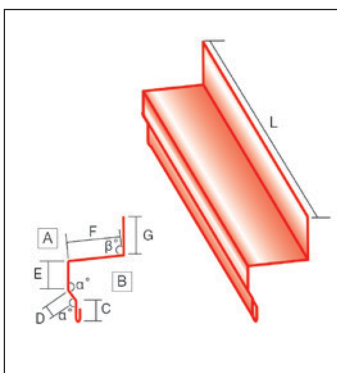


WL/FW12 Facade vertical prolongation (horizontal joint)

- 2 ECOPANEL® WL/FW.
- 4 Self-Drilling fixing screw 5,5 - 6,3mm x L and metal washer with EPDM.
- 6 Drilling screw.
- 11 Butile tape.
- 12 Flashing.
- 13 Supporting flashing.
- 15 Supporting angle.
- 20 «C» Purlin.
- 21 Metal frame.



WL/FW12.001	Standardized		Upon request	
Dimensions (mm)	C: 30	α° : 135	C:	α° :
	D: 25		D:	
	E: 80		E:	
	F: 40		F:	
Opening (mm)	Σ : 190		Σ :	
Length (mm)	L: 4.000		L: 1.000 ~ 6.000	
Thickness (mm)	t: 0,50		t: 0,60 - 0,75	
Colour (RAL)	9002 - 9006 - 1015 - 3003		UPON REQUEST	



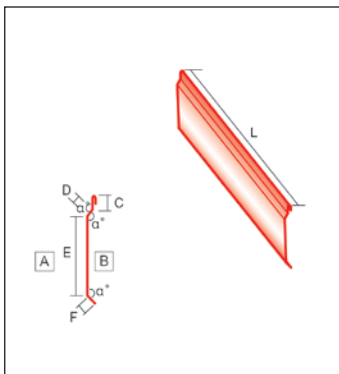
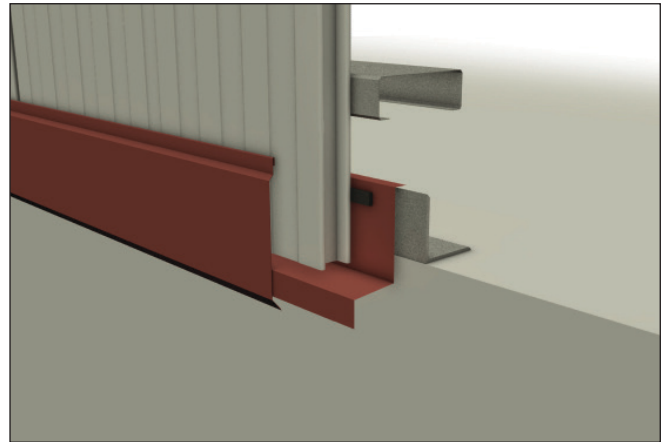
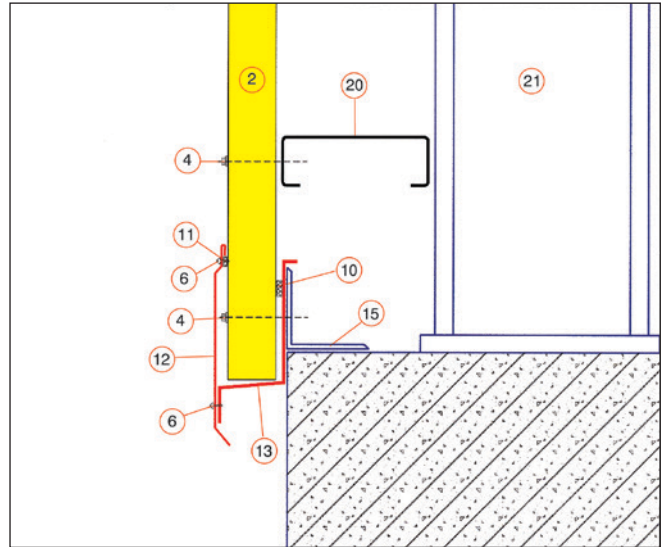
WL/FW12.002	Standardized		Upon request	
Dimensions (mm)	C: 30	G: 60	C:	G:
	D: 25	α° : 135	D:	α° :
	E: 80	β° : 92	E:	β° :
	F: 22 + W		F:	
Opening (mm)	Σ : 232 + W (panel's thickness)		Σ : max 1.250	
Length (mm)	L: 4.000		L: 1.000 ~ 6.000	
Thickness (mm)	t: 0,50		t: 0,60 - 0,75	
Colour (RAL)	9002 - 9006 - 1015 - 3003		UPON REQUEST	

Flashings and accessories

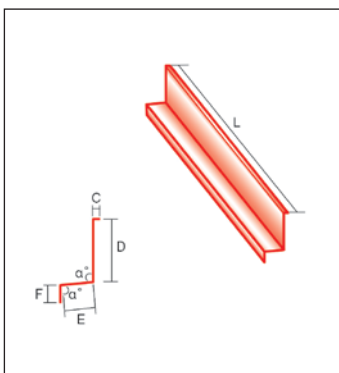


WL/FW13 Drip detail N.1

- 2 ECOPANEL® WL/FW.
- 4 Self-Drilling fixing screw 5,5 - 6,3mm x L and metal washer with EPDM.
- 6 Drilling screw.
- 10 Sealing strip.
- 11 Butile tape.
- 12 Flashing.
- 13 Supporting flashing.
- 15 Supporting angle.
- 20 «C» Purlin.
- 21 Metal frame.



WL/FW13.001	Standardized		Upon request	
Dimensions (mm)	C: 30	α° : 135	C:	α° :
	D: 25		D:	
	E: 165		E:	
	F: 50		F:	
Opening (mm)	Σ : 285		Σ : max 1.250	
Length (mm)	L: 4.000		L: 1.000 ~ 6.000	
Thickness (mm)	t: 0,50		t: 0,60 - 0,75	
Colour (RAL)	9002 - 9006 - 1015 - 3003		UPON REQUEST	



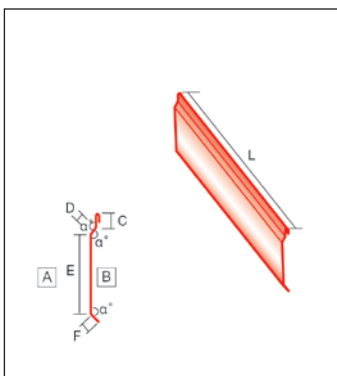
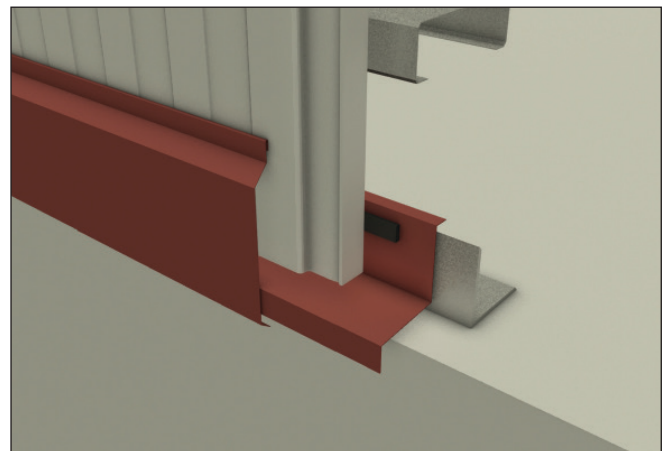
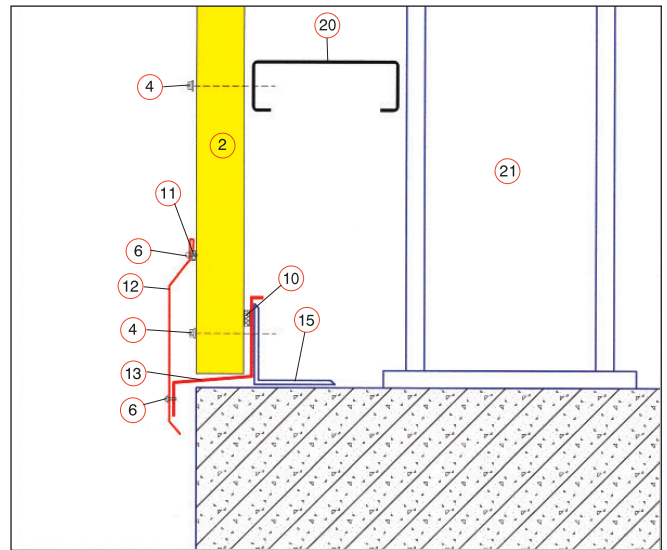
WL/FW13.002	Standardized		Upon request	
Dimensions (mm)	C: 20	α° : 92	C:	α° :
	D: 150		D:	
	E: 22 + W		E:	
	F: 60		F:	
Opening (mm)	Σ : 242 + W (panel's thickness)		Σ : max 1.250	
Length (mm)	L: 4.000		L: 3.000 - 4.000 - 6.000	
Thickness (mm)	t: 1,50		t: 1,00 - 3,00	
Colour (RAL)	GALVANIZED		UPON REQUEST	

Flashings and accessories

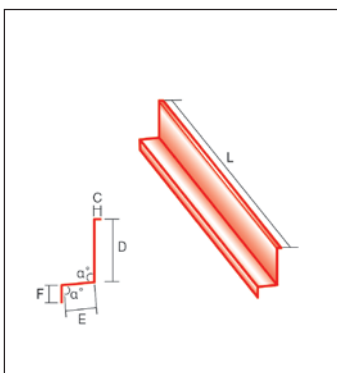


WL/FW14 Drip detail N.2

- 2 ECOPANEL® WL/FW.
- 4 Self-Drilling fixing screw 5,5 - 6,3mm x L and metal washer with EPDM.
- 6 Drilling screw.
- 10 Sealing strip.
- 11 Butile tape.
- 12 Flashing.
- 13 Supporting flashing.
- 15 Supporting angle.
- 20 «C» Purlin.
- 21 Metal frame.



WL/FW13.001	Standardized		Upon request	
Dimensions (mm)	C: 30	α° : 135	C:	α° :
	D: 25		D:	
	E: 165		E:	
	F: 30		F:	
Opening (mm)	Σ : 285		Σ : max 1.250	
Length (mm)	L: 4.000		L: 1.000 ~ 6.000	
Thickness (mm)	t: 0,50		t: 0,60 - 0,75	
Colour (RAL)	9002 - 9006 - 1015 - 3003		UPON REQUEST	



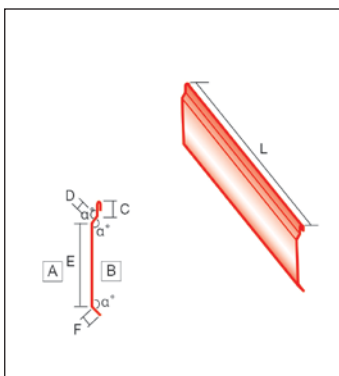
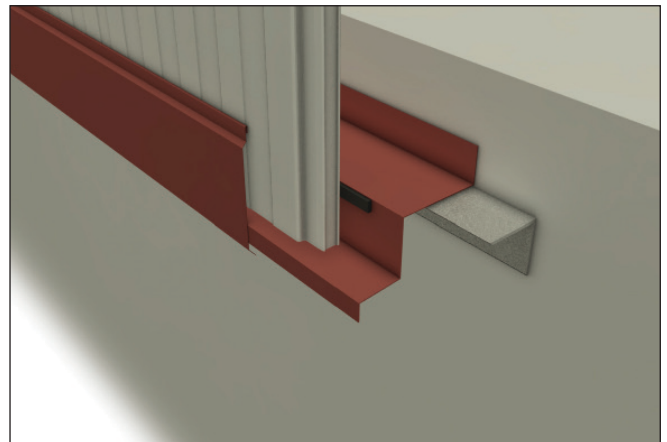
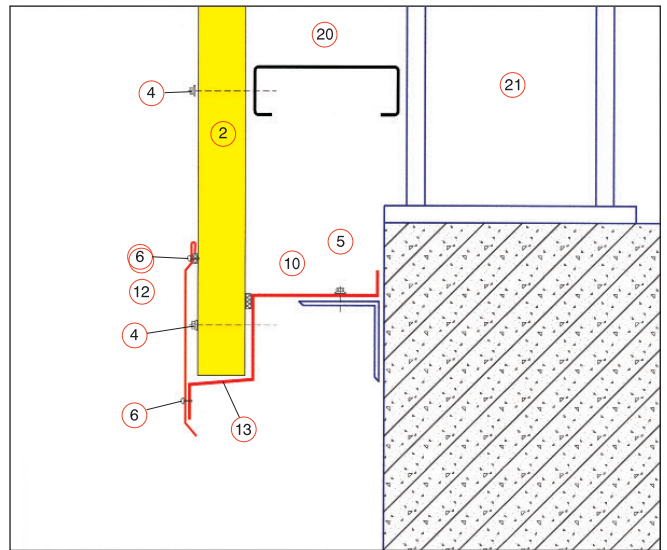
WL/FW13.002	Standardized		Upon request	
Dimensions (mm)	C: 20	α° : 92	C:	α° :
	D: 100		D:	
	E: 22 + W		E:	
	F: 60		F:	
Opening (mm)	Σ : 202 + W (panel's thickness)		Σ : max 1.250	
Length (mm)	L: 4.000		L: 3.000 - 4.000 - 6.000	
Thickness (mm)	t: 1,50		t: 1,00 - 3,00	
Colour (RAL)	GALVANIZED		UPON REQUEST	

Flashings and accessories

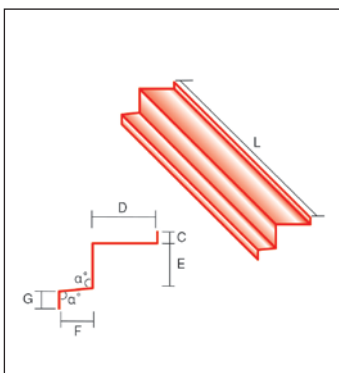


WL/FW15 Drip detail N.3

- 2 ECOPANEL® WL/FW.
- 4 Self-Drilling fixing screw 5,5 - 6,3mm x L and metal washer with EPDM.
- 5 Self-Drilling joint screw 5,5mm x L.
- 6 Drilling screw.
- 10 Sealing strip.
- 11 Butile tape.
- 12 Flashing.
- 13 Supporting flashing.
- 15 Supporting angle.
- 20 «C» Purlin.
- 21 Metal frame.



WL/FW13.001	Standardized		Upon request	
Dimensions (mm)	C: 30	α° : 135	C:	α° :
	D: 25		D:	
	E: 165		E:	
	F: 50		F:	
Opening (mm)	Σ : 285		Σ : max 1.250	
Length (mm)	L: 4.000		L: 1.000 ~ 6.000	
Thickness (mm)	t: 0,50		t: 0,60 - 0,75	
Colour (RAL)	9002 - 9006 - 1015 - 3003		UPON REQUEST	



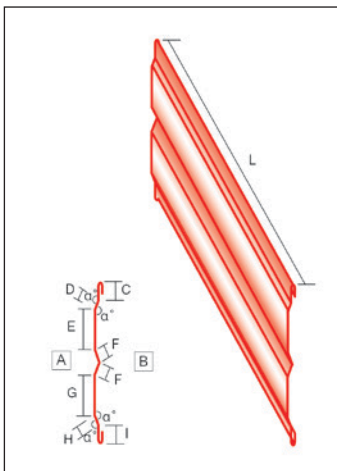
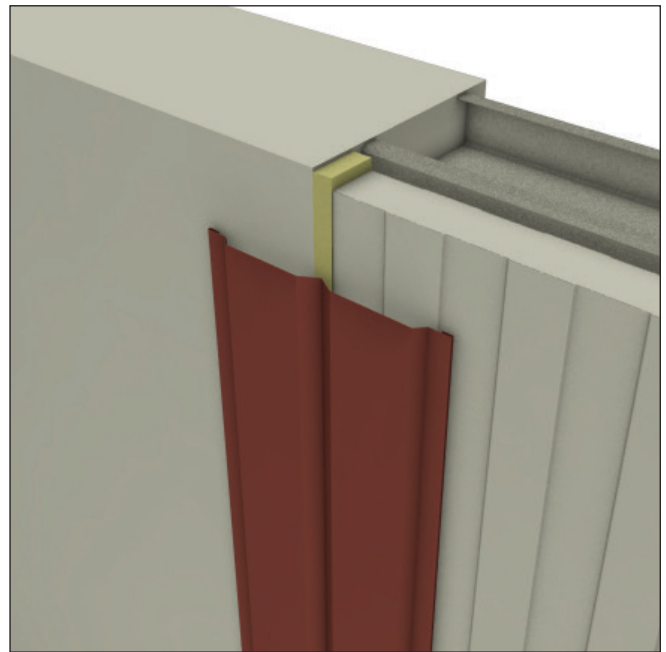
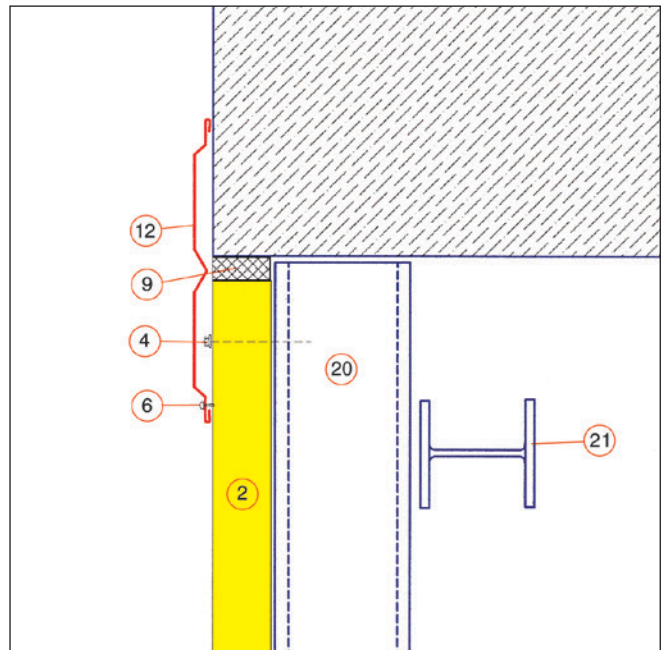
WL/FW15.001	Standardized		Upon request	
Dimensions (mm)	C: 20	G: 60	C:	G:
	D:	α° : 92	D:	α° :
	E:		E:	
	F: 22 + W		F:	
Opening (mm)	Σ : -		Σ : max 1.250	
Length (mm)	L: 4.000			
Thickness (mm)	t: 1,50		t: 1,00 - 3,00	
Colour (RAL)	GALVANIZED		UPON REQUEST	

Flashings and accessories



WL/FW16 Joint to concrete/brick wall

- 2 ECOPANEL® WL/FW.
- 4 Self-Drilling fixing screw 5,5 - 6,3mm x L and metal washer with EPDM.
- 6 Drilling screw.
- 9 Insulating material (Polyurethane - Mineral wool).
- 12 Flashing.
- 20 «C» Purlin.
- 21 Metal frame.



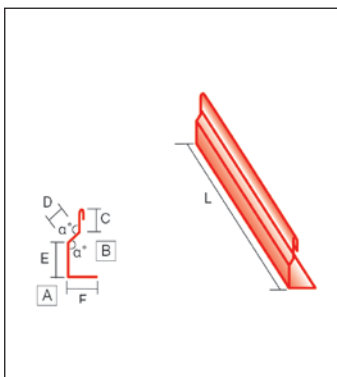
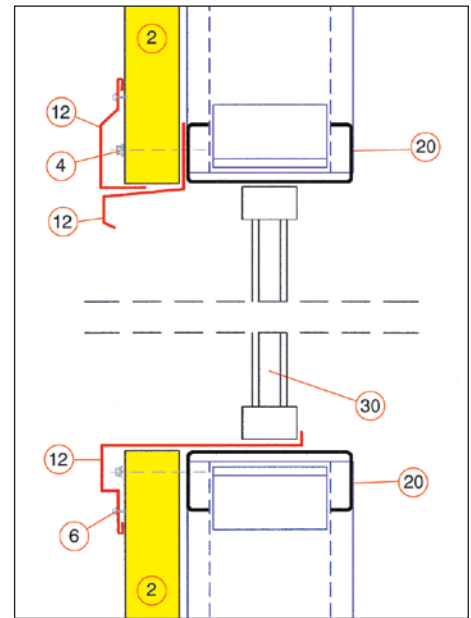
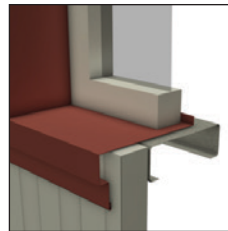
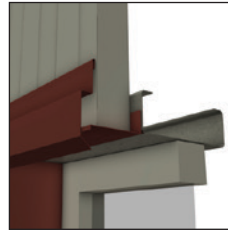
WL/FW16.001	Standardized		Upon request	
Dimensions (mm)	C: 30	G: 130	C:	G:
	D: 25	H: 30	D:	H:
	E: 130	I: 30	E:	I:
	F: 20	α° : 135	F:	α° :
Opening (mm)	Σ : 445		Σ : max 1.250	
Length (mm)	L: 4.000		L: 1.000 ~ 6.000	
Thickness (mm)	t: 0,50		t: 0,60 - 0,75	
Colour (RAL)	9002 - 9006 - 1015 - 3003		UPON REQUEST	

Openings - Natural light - Natural ventilation

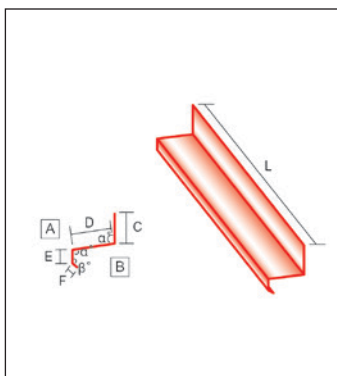


WL/FW17, WL/FW18 Section through window head - sill

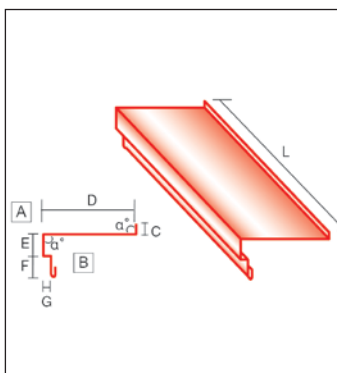
- 2 ECOPANEL® WL/FW.
- 4 Self-Drilling fixing screw 5,5 - 6,3mm x L and metal washer with EPDM.
- 6 Drilling screw.
- 12 Flashing.
- 20 «C» Purlin.
- 30 Window.



WL/FW12.001	Standardized		Upon request	
Dimensions (mm)	C: 30	α° : 135	C:	α° :
	D: 25		D:	
	E: 50		E:	
	F: 40		F:	
Opening (mm)	Σ : 160		Σ : max 1.250	
Length (mm)	L: 4.000		L: 1.000 ~ 6.000	
Thickness (mm)	t: 0,50		t: 0,60 - 0,75	
Colour (RAL)	9002 - 9006 - 1015 - 3003		UPON REQUEST	



WL/FW17.001	Standardized		Upon request	
Dimensions (mm)	C: 50	α° : 92	C:	α° :
	D: 20 + W	β° : 135	D:	β° :
	E: 30		E:	
	F: 20		F:	
Opening (mm)	Σ : 120 + W (panel's thickness)		Σ : max 1.250	
Length (mm)	L: 4.000		L: 1.000 ~ 6.000	
Thickness (mm)	t: 0,50		t: 0,60 - 0,75	
Colour (RAL)	9002 - 9006 - 1015 - 3003		UPON REQUEST	



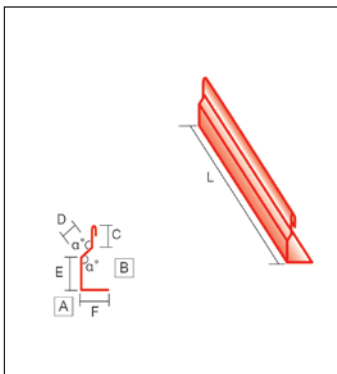
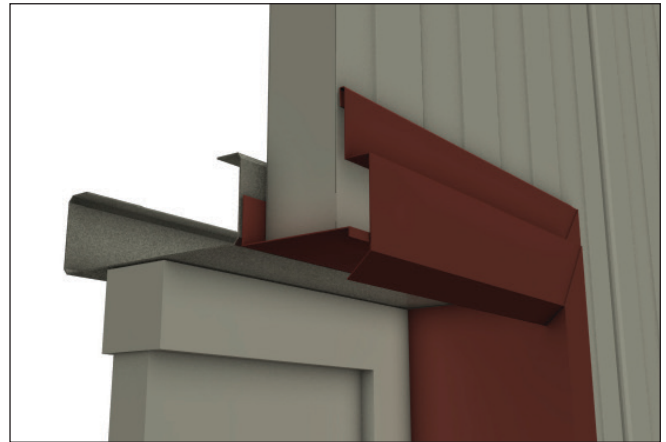
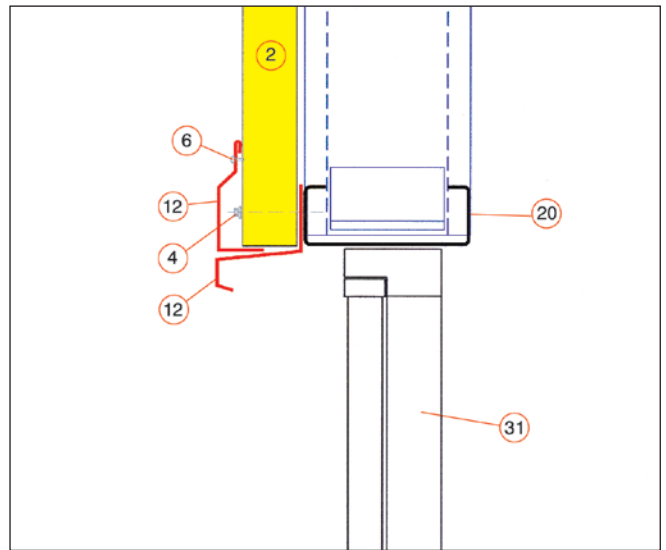
WL/FW18.001	Standardized		Upon request	
Dimensions (mm)	C: 20	G: 20	C:	G:
	D: -	α° : 92	D:	α° :
	E: 80		E:	
	F: 30		F: -	
Opening (mm)	Σ : 165 + D		Σ : max 1.250	
Length (mm)	L: 4.000		L: 1.000 ~ 6.000	
Thickness (mm)	t: 0,50		t: 0,60 - 0,75	
Colour (RAL)	9002 - 9006 - 1015 - 3003		UPON REQUEST	

Openings - Natural light - Natural ventilation

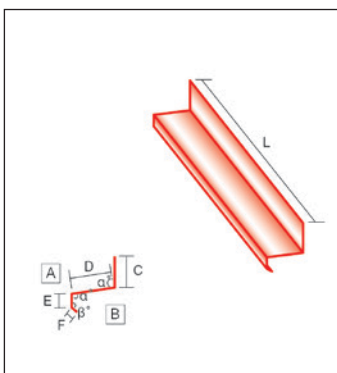


WL/FW 19 Section through window jamb

- 2 ECOPANEL® WL/FW.
- 4 Self-Drilling fixing screw 5,5 - 6,3mm x L and metal washer with EPDM.
- 6 Drilling screw.
- 12 Flashing.
- 20 «C» Purlin.
- 31 Window.



WL/FW12.001	Standardized		Upon request	
Dimensions (mm)	C: 30	α° : 135	C:	α° :
	D: 25		D:	
	E: 50		E:	
	F: 40		F:	
Opening (mm)	Σ : 160		Σ : max 1.250	
Length (mm)	L: 4.000		L: 1.000 ~ 6.000	
Thickness (mm)	t: 0,50		t: 0,60 - 0,75	
Colour (RAL)	9002 - 9006 - 1015 - 3003		UPON REQUEST	



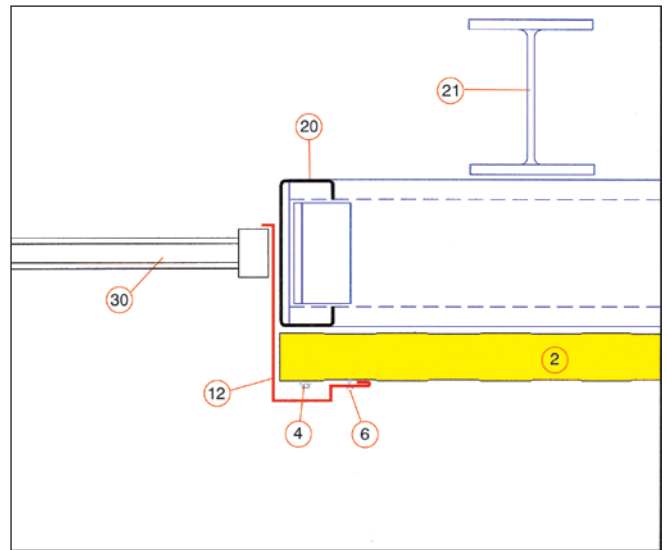
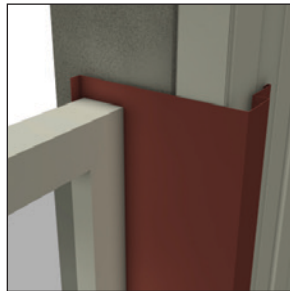
WL/FW17.001	Standardized		Upon request	
Dimensions (mm)	C: 50	α° : 92	C:	α° :
	D: 20 + W	β° : 135	D:	β° :
	E: 30		E:	
	F: 20		F:	
Opening (mm)	Σ : 120 + W (panel's thickness)		Σ : max 1.250	
Length (mm)	L: 4.000		L: 1.000 ~ 6.000	
Thickness (mm)	t: 0,50		t: 0,60 - 0,75	
Colour (RAL)	9002 - 9006 - 1015 - 3003		UPON REQUEST	

Openings - Natural light - Natural ventilation



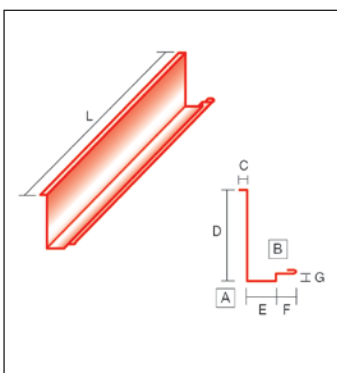
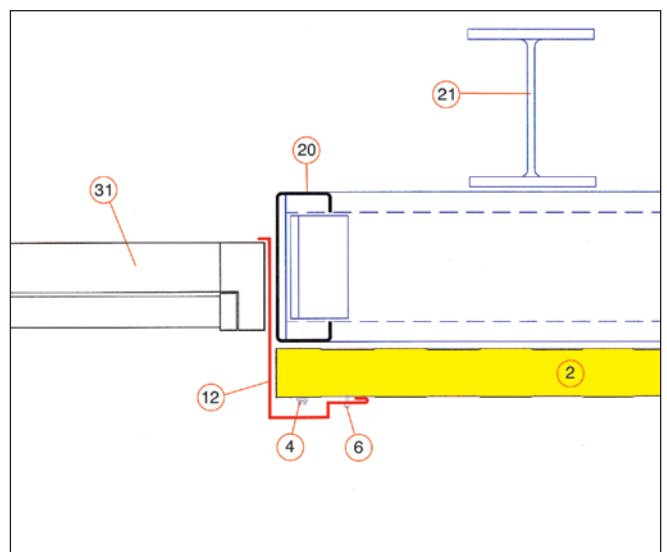
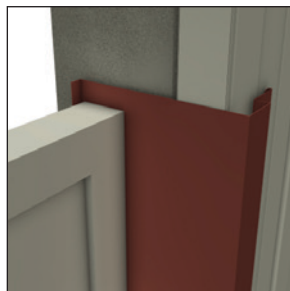
WL/FW 20 Section through door head

- 2 ECOPANEL® WL/FW.
- 4 Self-Drilling fixing screw 5,5 - 6,3mm x L and metal washer with EPDM.
- 6 Drilling screw.
- 12 Flashing.
- 20 «C» Purlin.
- 21 Metal frame.
- 30 Door.



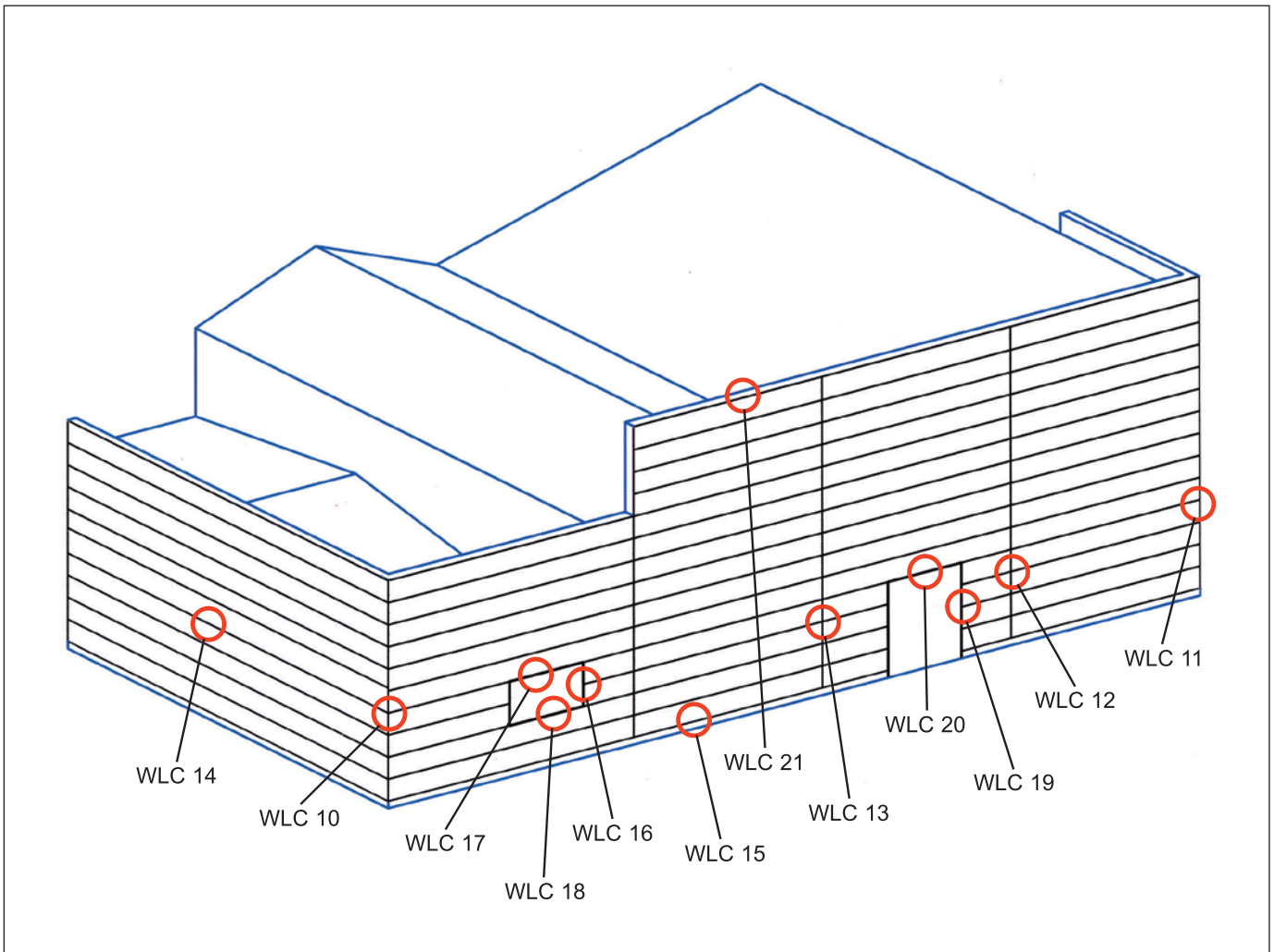
WL/FW21 Section through door jamb

- 2 ECOPANEL® WL/FW.
- 4 Self-Drilling fixing screw 5,5 - 6,3mm x L and metal washer with EPDM.
- 6 Drilling screw.
- 12 Flashing.
- 20 «C» Purlin.
- 21 Metal frame.
- 31 Window.



WL/FW19.001	Standardized		Upon request	
Dimensions (mm)	C: 20	G: 20	C:	
	D: -		D:	
	E: 80		E:	
	F: 30		F: -	
Opening (mm)	$\Sigma: 165 + D$		$\Sigma: \text{max } 1.250$	
Length (mm)	L: 4.000		L: 1.000 ~ 6.000	
Thickness (mm)	t: 0,50		t: 0,60 - 0,75	
Colour (RAL)	9002 - 9006 - 1015 - 3003		UPON REQUEST	

Wall panel details ECOPANEL® WLC horizontal installation



WLC 10 External corner (Λ.1).

WLC 11 External corner (Λ. 2).

WLC 12 Vertical joint (Λ. 1).

WLC 13 Vertical joint (Λ. 2).

WLC 14 Horizontal panel joint.

WLC 15 Drip Detail .

WLC 16 Section through Window jamb.

WLC 17 Section through window head.

WLC 18 Section through window sill.

WLC 19 Section through door jamb.

WLC 20 Section through door head.

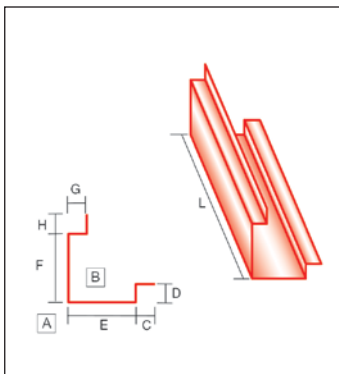
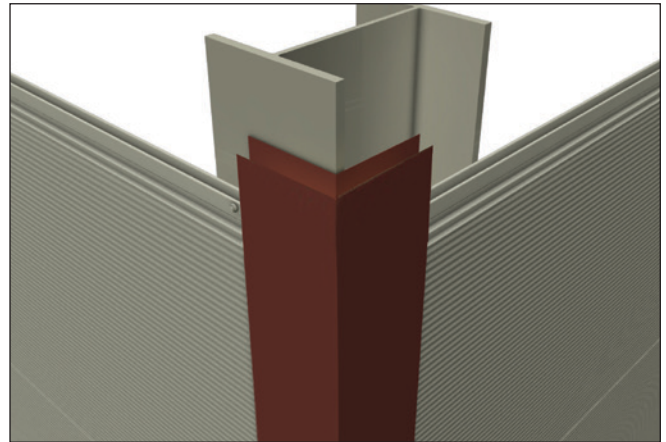
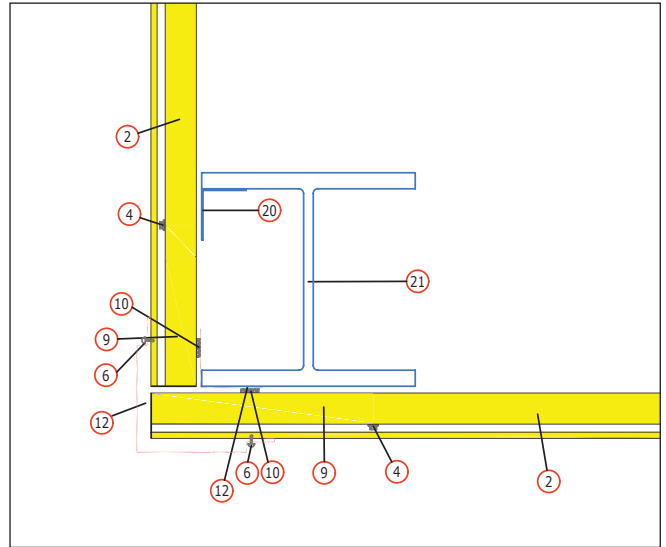
WLC 21 Verge parapet cladding with sub - construction.

Flashings and accessories

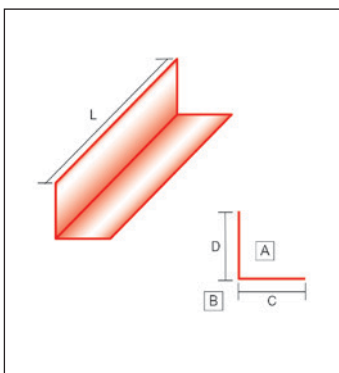


WLC10 External corner (A.1)

- 2 ECOPANEL® WLC.
- 4 Self-Drilling fixing screw 5,5 - 6,3mm x L and metal washer with EPDM.
- 6 Drilling screw.
- 10 Sealing strip.
- 12 Flashing.
- 15 Supporting angle.
- 21 Metal frame.



WLC10.001	Standardized		Upon request	
Dimensions (mm)	C: 80	G: W	C:	G:
	D: W	H: 80	D:	H:
	E: 250		E:	
	F: 250		F: -	
Opening (mm)	$\Sigma: 660 + 2W$ (panel's thickness)		$\Sigma: \text{max } 1.250$	
Length (mm)	L: 4.000		L: 1.000 ~ 6.000	
Thickness (mm)	t: 0,50		t: 0,60 - 0,75	
Colour (RAL)	9002 - 9006 - 1015 - 3003		UPON REQUEST	



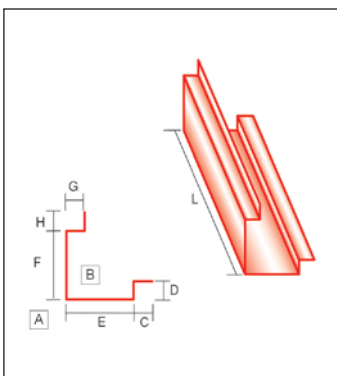
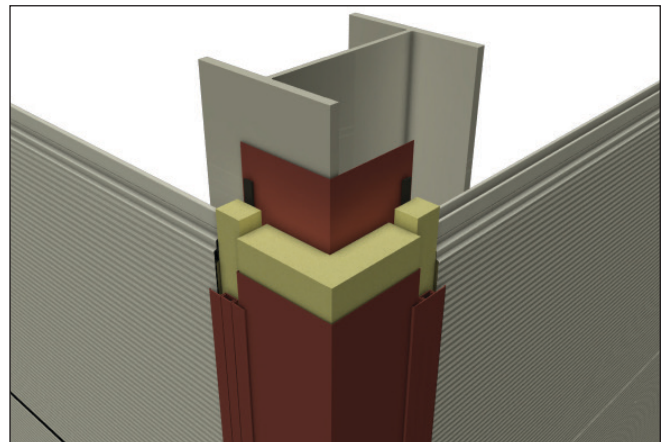
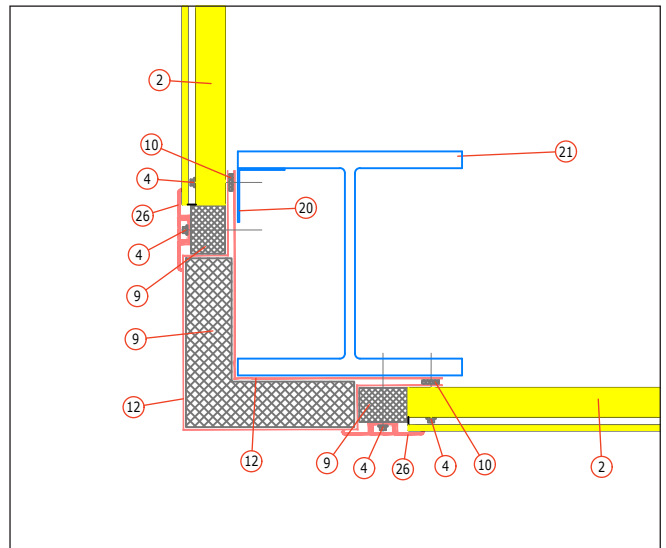
WLC10.002	Standardized		Upon request	
Dimensions (mm)	C: 250		C:	
	D: 250		D:	
Opening (mm)	$\Sigma: 500$		$\Sigma: \text{max } 1.250$	
Length (mm)	L: 4.000		L: 1.000 ~ 6.000	
Thickness (mm)	t: 0,50		t: 0,60 - 0,75	
Colour (RAL)	9002 - 9006 - 1015 - 3003		UPON REQUEST	

Flashings and accessories

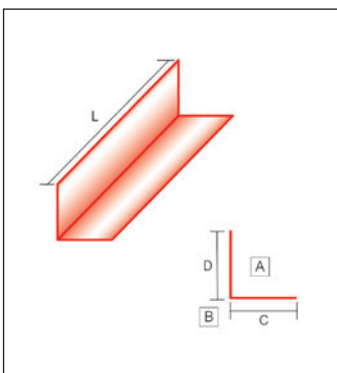


WLC11 External corner (A. 2)

- 2 ECOPANEL® WLC.
- 4 Self-Drilling fixing screw 5,5 - 6,3mm x L and metal washer with EPDM.
- 9 Insulating material (Polyurethane - Mineral wool).
- 10 Sealing strip.
- 12 Flashing.
- 20 «C» Purlin.
- 21 Metal frame.
- 26 Special aluminum profile.



WLC11.001	Standardized		Upon request	
Dimensions (mm)	C: 160	G: W	C:	G:
	D: W	H: 160	D:	H:
	E: 250		E:	
	F: 250		F: -	
Opening (mm)	$\Sigma: 820 + 2W$ (panel's thickness)		$\Sigma: \text{max } 1.250$	
Length (mm)	L: 4.000		L: 1.000 ~ 6.000	
Thickness (mm)	t: 0,50		t: 0,60 - 0,75	
Colour (RAL)	9002 - 9006 - 1015 - 3003		UPON REQUEST	



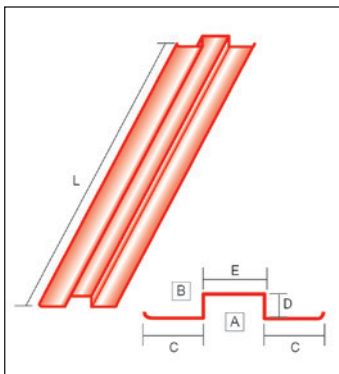
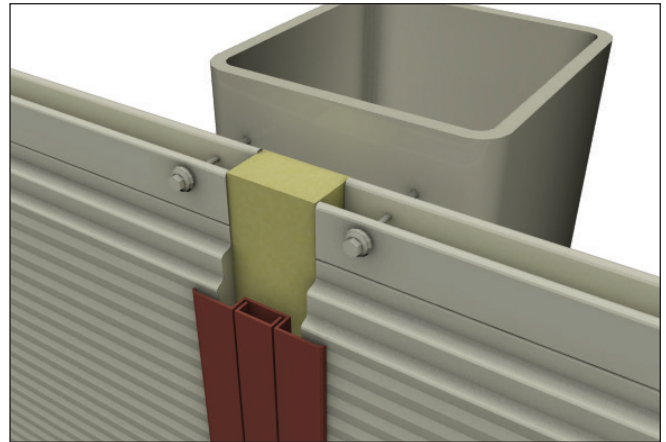
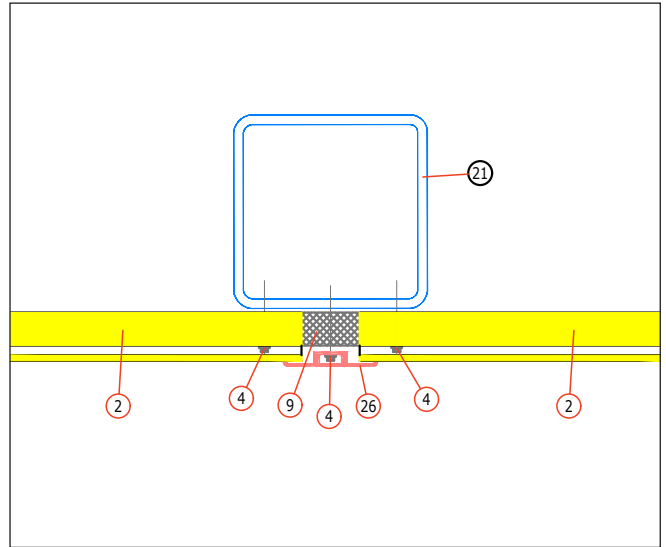
WLC11.002	Standardized		Upon request	
Dimensions (mm)	C: 330		C:	
	D: 330		D:	
Opening (mm)	$\Sigma: 660$		$\Sigma: \text{max } 1.250$	
Length (mm)	L: 4.000		L: 1.000 ~ 6.000	
Thickness (mm)	t: 0,50		t: 0,60 - 0,75	
Colour (RAL)	9002 - 9006 - 1015 - 3003		UPON REQUEST	

Flashings and accessories



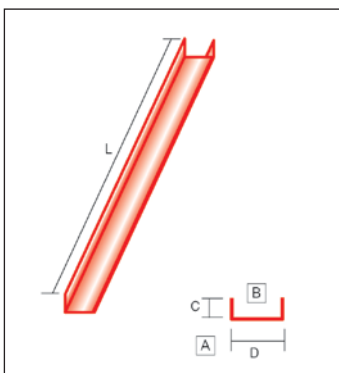
WLC12 Vertical joint (Λ. 1)

- 2 ECOPANEL® WLC.
- 4 Self-Drilling fixing screw 5,5 - 6,3mm x L and metal washer with EPDM
- 9 Insulating material (Polyurethane - Mineral wool).
- 21 Metal frame.
- 26 Special aluminum profile.



WLC12.001	Standardized		Upon request	
Dimensions (mm)	C: 32		C: -	
	D: 11		D: -	
	E: 37		E: -	
Opening (mm)	Σ: 128		Σ: -	
Length (mm)	L: 6.000		L: -	
Thickness (mm)	t: 1,50		t: -	
Colour (RAL)	9002 - 9006 - 1015 - 3003		UPON REQUEST	

Produced only in standard dimensions



WLC12.002	Standardized		Upon request	
Dimensions (mm)	C: 10		C: -	
	D: 31		D: -	
Opening (mm)	Σ: 54		Σ: -	
Length (mm)	L: 6.000		L: -	
Thickness (mm)	t: 0,50		t: -	
Colour (RAL)	9002 - 9006 - 1015 - 3003		UPON REQUEST	

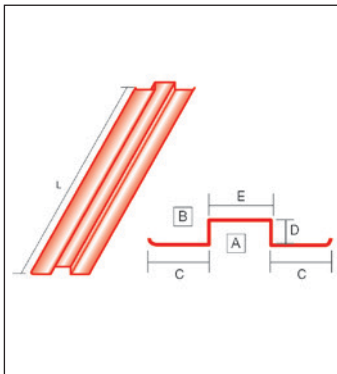
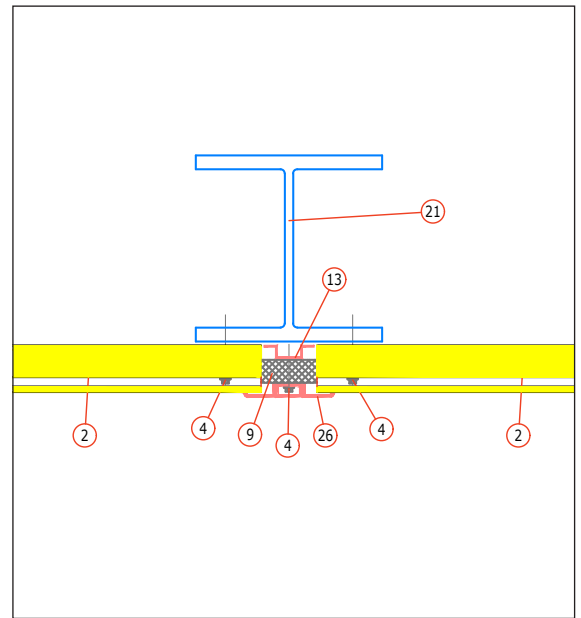
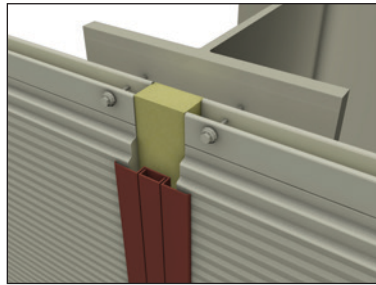
Produced only in standard dimensions

Flashings and accessories



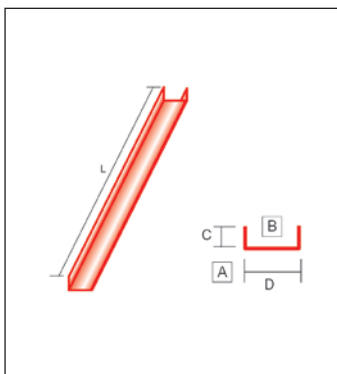
WLC13 Vertical joint (Λ. 2)

- 2 ECOPANEL® WLC.
- 4 Self-Drilling fixing screw 5,5 - 6,3mm x L and metal washer with EPDM
- 9 Insulating material (Polyurethane - Mineral wool).
- 13 Supporting flashing.
- 21 Metal frame.
- 26 Special aluminum profile.



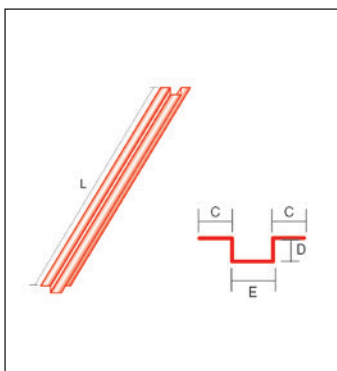
WLC12.001	Standardized		Upon request	
Dimensions (mm)	C: 32		C: -	
	D: 11		D: -	
	E: 37		E: -	
Opening (mm)	Σ: 128		Σ: -	
Length (mm)	L: 6.000		L: -	
Thickness (mm)	t: 1,50		t: -	
Colour (RAL)	9002 - 9006 - 1015 - 3003		UPON REQUEST	

Produced only in standard dimensions



WLC12.002	Standardized		Upon request	
Dimensions (mm)	C: 10		C: -	
	D: 31		D: -	
Opening (mm)	Σ: 54		Σ: -	
Length (mm)	L: 6.000		L: -	
Thickness (mm)	t: 0,50		t: -	
Colour (RAL)	9002 - 9006 - 1015 - 3003		UPON REQUEST	

Produced only in standard dimensions



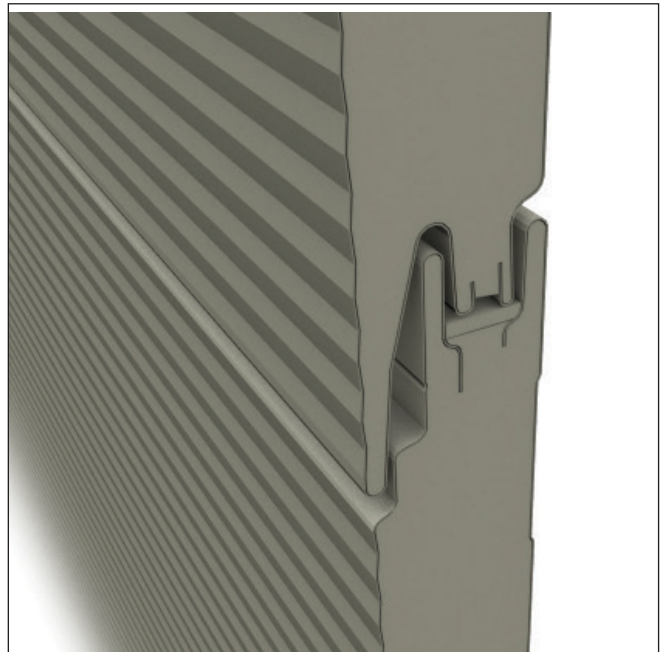
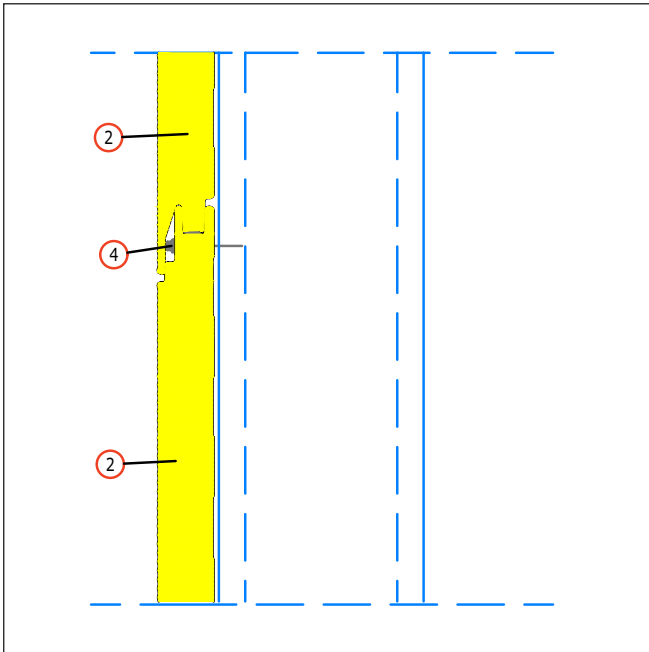
WLC13.001	Standardized		Upon request	
Dimensions (mm)	C: 25		C: -	
	D: 20		D: -	
	E: 30		E: -	
Opening (mm)	Σ: 120		Σ: 500	
Length (mm)	L: 4.000		L: -	
Thickness (mm)	t: 2,00		t: 1,50	
Colour (RAL)	GALVANIZED		-	

Flashings and accessories



WLC14 Horizontal panel joint

- 2 ECOPANEL® WLC.
- 4 Self-Drilling fixing screw 5,5 - 6,3mm x L
and metal washer with EPDM

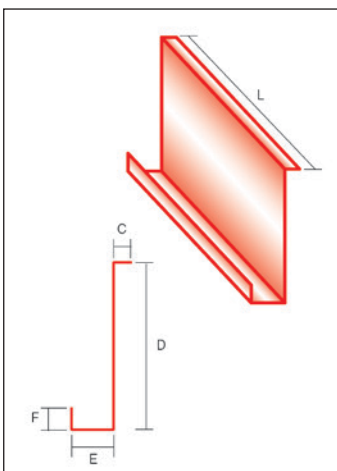
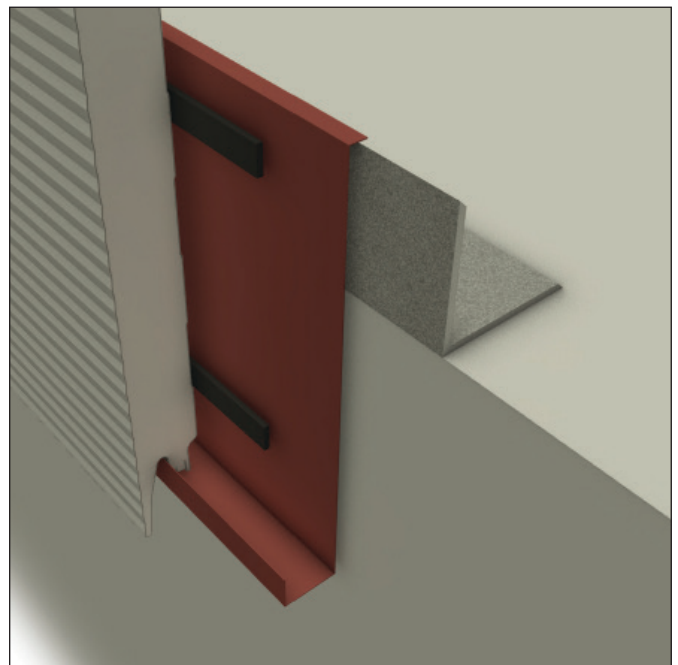
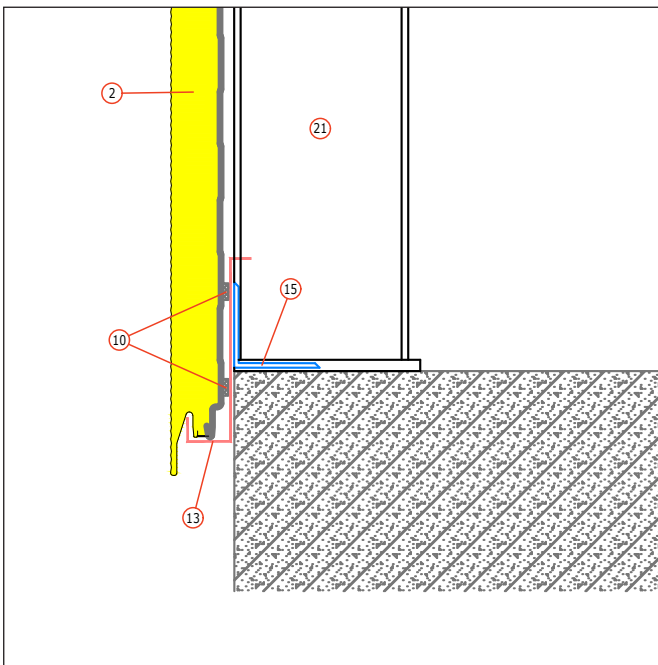


Flashings and accessories



WLC15 Drip Detail

- 2 ECOPANEL® WLC.
- 10 Sealing strip.
- 13 Supporting flashing.
- 15 Corner.
- 21 Metal frame.



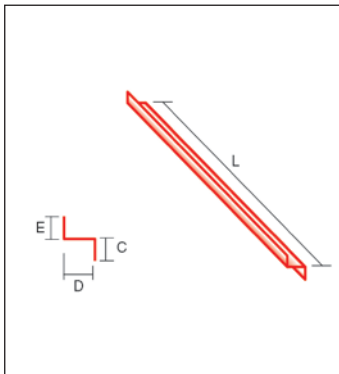
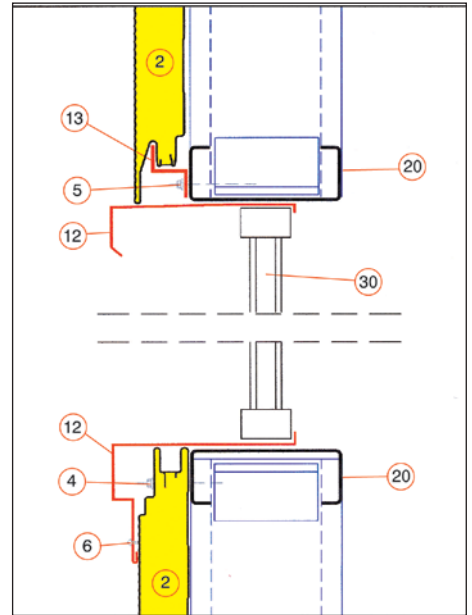
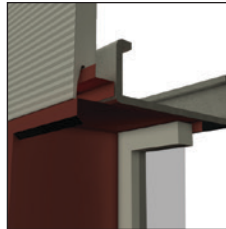
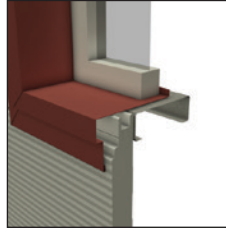
WLC15.001	Standardized		Upon request	
Dimensions (mm)	C: 20		C:	
	D:		D:	
	E: W - 24		E:	
	F: 22		F:	
Opening (mm)	Σ:		Σ: max 1.200	
Length (mm)	L: 4.000		L: 1.000 ~ 6.000	
Thickness (mm)	t: 1,50		t: 1,50	
Colour (RAL)	GALVANIZED		UPON REQUEST	

Flashings and accessories

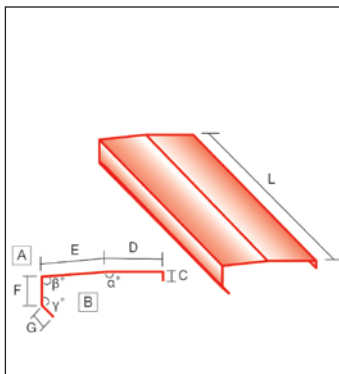


WLC17-WLC18 Section through window head - sill

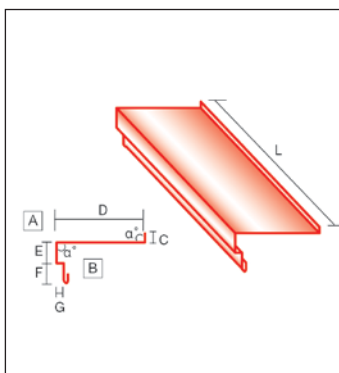
- 2 ECOPANEL® WLC.
- 4 Self-Drilling fixing screw 5,5 - 6,3mm x L and metal washer with EPDM.
- 5 Self-Drilling joint screw 5,5mm x L.
- 6 Drilling screw.
- 12 Flashing.
- 13 Supporting flashing.
- 20 «C» Purlin.
- 30 Door.



WLC17.003	Standardized		Upon request	
Dimensions (mm)	C: 22		C:	
	D: W - 22		D: W - 22	
	E: 22		E: 22	
Opening (mm)	Σ: 20 + W (panel's thickness)		Σ:	
Length (mm)	L: 4.000		L: 1.000 ~ 6.000	
Thickness (mm)	t: 1,50		t: 1,50	
Colour (RAL)	GALVANIZED		UPON REQUEST	



WLC17.002	Standardized		Upon request	
Dimensions (mm)	C: 20	G: 20	C:	G:
	D: -	α°: 175	D:	α°:
	E: -	β°: 95	E:	β°:
	F: 30	γ°: 135	F:	γ°:
Opening (mm)	Σ: -		Σ: max 1.250	
Length (mm)	L: 4.000		L: 1.000 ~ 6.000	
Thickness (mm)	t: 0,50		t: 0,60 - 0,75	
Colour (RAL)	9002 - 9006 - 1015 - 3003		UPON REQUEST	



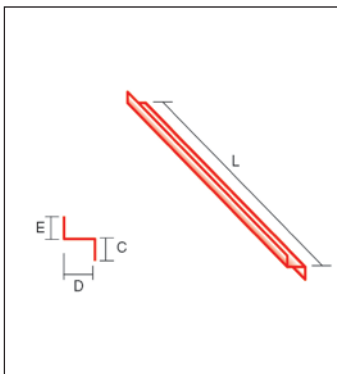
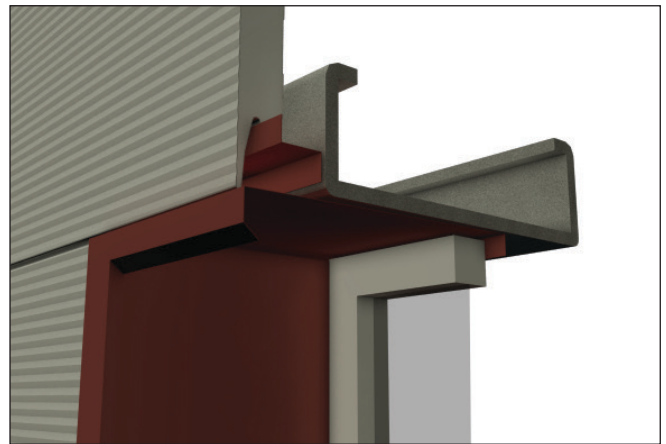
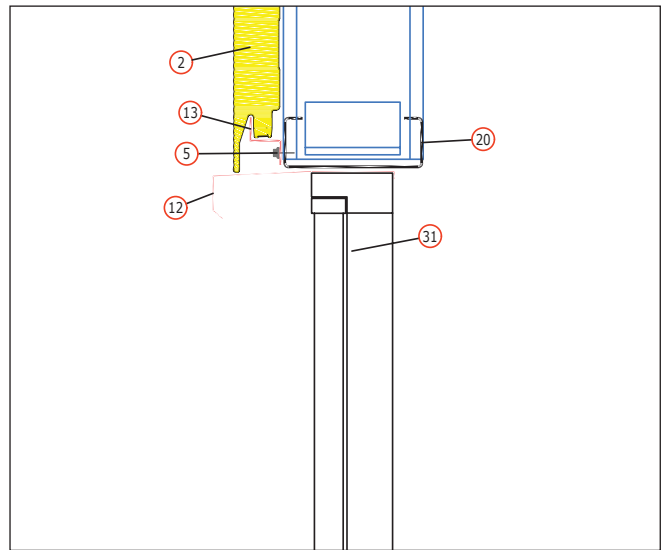
WL/FW18.001	Standardized		Upon request	
Dimensions (mm)	C: 20	G: 20	C:	
	D: -	α°: 92	D:	
	E: 80		E:	
	F: 30		F: -	
Opening (mm)	Σ: 165 + D		Σ: max 1.250	
Length (mm)	L: 4.000		L: 1.000 ~ 6.000	
Thickness (mm)	t: 0,50		t: 0,60 - 0,75	
Colour (RAL)	9002 - 9006 - 1015 - 3003		UPON REQUEST	

Flashings and accessories

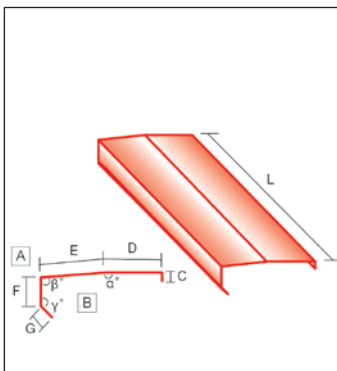


WLC20 WLC 20 Section through door head

- 2 ECOPANEL® WLC.
- 5 Self-Drilling joint screw 5,5mm x L and metal washer with EPDM.
- 12 Flashing.
- 13 Supporting flashing.
- 20 «C» Purlin.
- 31 Door.



WLC17.003	Standardized		Upon request	
Dimensions (mm)	C: 22		C:	
	D: W - 24		D: W - 24	
	E: 22		E: 22	
Opening (mm)	$\Sigma: 20 + W$ (panel's thickness)		$\Sigma:$	
Length (mm)	L: 4.000		L: 1.000 ~ 6.000	
Thickness (mm)	t: 1,50		t: 1,50	
Colour (RAL)	GALVANIZED		UPON REQUEST	



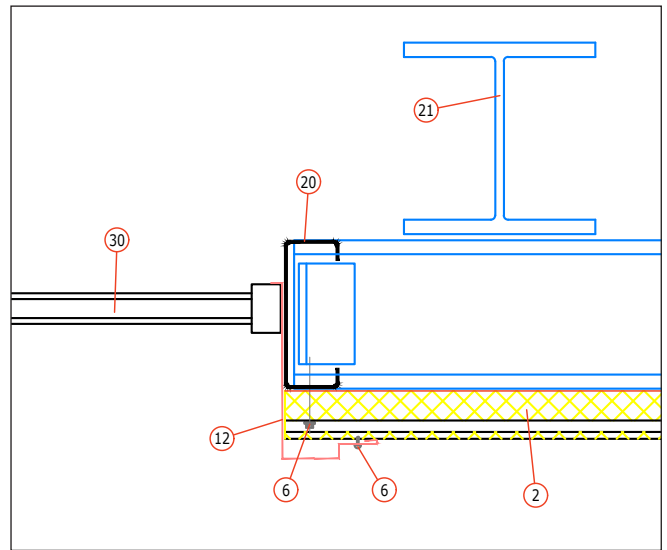
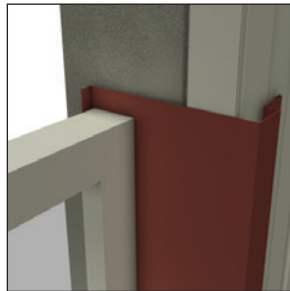
WLC17.002	Standardized		Upon request	
Dimensions (mm)	C: 20	G: 20	C:	G:
	D: -	$\alpha^\circ: 175$	D:	$\alpha^\circ:$
	E: -	$\beta^\circ: 95$	E:	$\beta^\circ:$
	F: 30	$\gamma^\circ: 135$	F:	$\gamma^\circ:$
Opening (mm)	$\Sigma: -$		$\Sigma: \text{max } 1.250$	
Length (mm)	L: 4.000		L: 1.000 ~ 6.000	
Thickness (mm)	t: 0,50		t: 0,60 - 0,75	
Colour (RAL)	9002 - 9006 - 1015 - 3003		UPON REQUEST	

Flashings and accessories



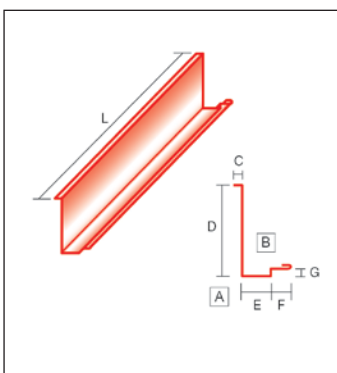
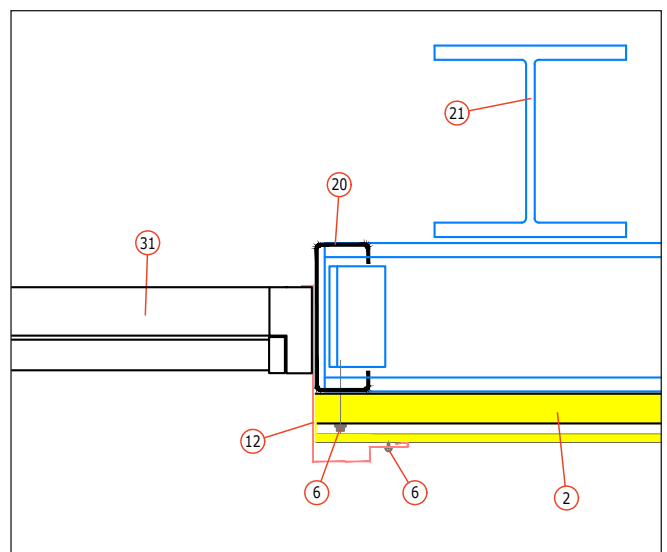
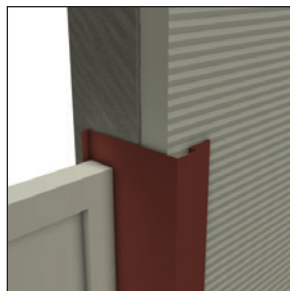
WLC16 Section through Window jamb

- 2 ECOPANEL® WLC.
- 4 Self-Drilling fixing screw 5,5 - 6,3mm x L and metal washer with EPDM.
- 6 Drilling screw.
- 12 Flashing.
- 20 «C» Purlin.
- 21 Metal frame.
- 30 Window.



WLC19 Section through door jamb

- 2 ECOPANEL® WLC.
- 4 Self-Drilling fixing screw 5,5 - 6,3mm x L and metal washer with EPDM.
- 6 Drilling screw.
- 12 Flashing.
- 20 «C» Purlin.
- 21 Metal frame.
- 31 Door.



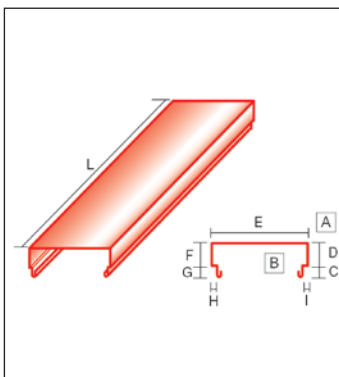
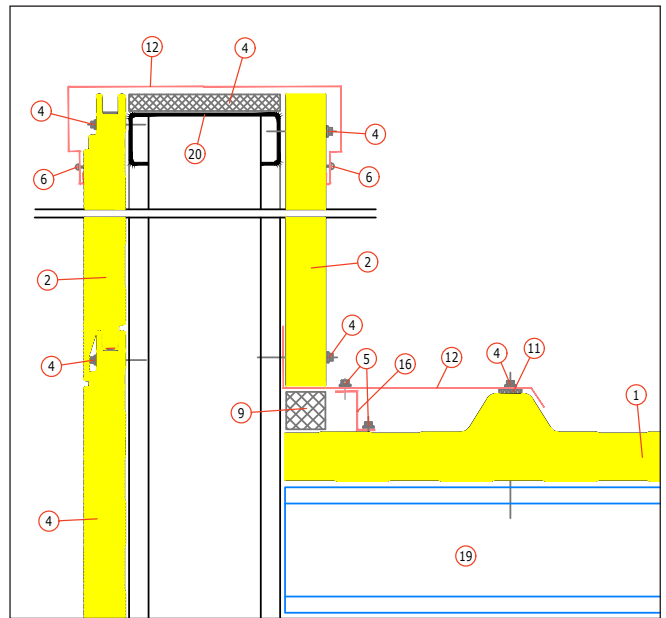
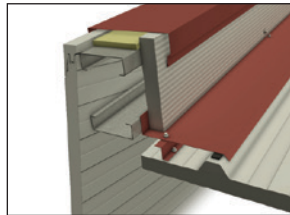
WL/FW19.001	Standardized		Upon request	
Dimensions (mm)	C: 20	G: 20	C:	
	D:		D:	
	E: 80		E:	
	F: 30		F: -	
Opening (mm)			Σ: max 1.250	
Length (mm)	L: 4.000		L: 1.000 ~ 6.000	
Thickness (mm)	t: 0,50		t: 0,60 - 0,75	
Colour (RAL)	9002 - 9006 - 1015 - 3003		UPON REQUEST	

Flashings and accessories

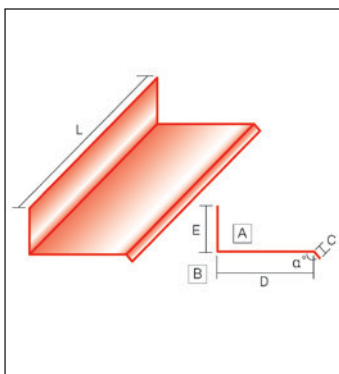


WLC21 Verge parapet cladding with sub - construction

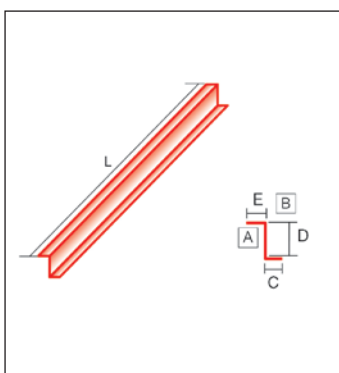
- 1 ECOPANEL® RL.
- 2 ECOPANEL® WLC.
- 4 Self-Drilling fixing screw 5,5 - 6,3mm x L and metal washer with EPDM.
- 5 Self-Drilling joint screw 5,5mm x L.
- 6 Drilling screw.
- 9 Insulating material (Polyurethane - Mineral wool).
- 11 Butile tape.
- 12 Flashing.
- 16 Stand-off in «Z» shape.
- 19 «Z» Purlin.
- 20 «C» Purlin.



R25.001	Standardized		Upon request	
Dimensions (mm)	C: 30	G: 30	C:	G:
	D: 90	H: 20	D:	H:
	E:	I: 20	E:	I:
	F: 90		F:	
Opening (mm)	Σ: 310 + E		Σ: max 1.250	
Length (mm)	L: 4.000		L: 1.000 ~ 6.000	
Thickness (mm)	t: 0,50		t: 0,60 - 0,75	
Colour (RAL)	9002 - 9006 - 1015 - 3003		UPON REQUEST	



R44.002	Standardized		Upon request	
Dimensions (mm)	C: 30	α°: 123	C: 30	α°: 123
	D:		D:	
	E:		E:	
Opening (mm)	Σ:		Σ: max 1.250	
Length (mm)	L: 4.000		L: 1.000 ~ 6.000	
Thickness (mm)	t: 0,50		t: 0,60 - 0,75	
Colour (RAL)	9002 - 9006 - 1015 - 3003		UPON REQUEST	



R40.002	Standardized		Upon request	
Dimensions (mm)	C: 30		C: X	
	D: 42		D: X	
	E: 30		E: X	
Opening (mm)	Σ: 102		Σ: max 1.250	
Length (mm)	L: 4.000		L: 1.000 ~ 6.000	
Thickness (mm)	t: 0,50		t: 0,60 - 0,75	
Colour (RAL)	9002 - 9006 - 1015 - 3003		UPON REQUEST	

Fastening Materials



For the fastening of the thermal insulated panels on the purlins of the building, as well as for the support of the flashings, our company suggests the following self-drilling screws.

The screws are suitable for the support of the thermal insulated panels in buildings with metal frames, as well as in buildings with frame from reinforced concrete but with inserted metal support points.

They are available with metal washer with EPDM rubber gasket. They have hexagonal head suitable for «nut» N°8 (Hex 8mm).

They are produced from high quality galvanized carbon steel of great durability (case hardened) and with organic coating of «Climadur». They are conforming to the DIN 7504 specifications.

Application Table

Drill capability	Purlins and rails steel thickness (mm)											
2	1,0 - 1,5											
3		1,5 - 4,0										
6			2,0 - 6,0									
12							4,5 - 12,0					

Application	Fastener Type	DESCRIPTION			Use
		Thread (ø mm)	Length (mm)	Drill capability (mm)	
	8mm Hex 	4,8	19	1,5	STAPLING OF PANELS
		4,8	20	1,5	STAPLING OF PANELS
		5,5	25	3	STAPLING OF PANELS
*Available with integral color head in the following RAL: 1015 - 3003 - 5010 - 6020 - 7011 - 9002 - 9006					
	8mm Hex 	5,5	25	6	FIXING TRAPEZOIDAL STEEL SHEET TO CONSTRUCTION FRAME
		5,5	35	12	
		5,5	65	12	
		5,5	80	12	
		6,3	50	6	
		6,3	80	6	

Fastening Materials



Application	Fastener Type	DESCRIPTION			Use	
		Thread (ø mm)	Length (mm)	Drill capability (mm)		
	<p>8mm Hex Drill point 6mm</p>	5,5	6,3	62	WL/FW 40 WLC 50	
		5,5	6,3	82	WL/FW 50 WL/FW 60 WLC 60	
		5,5	6,3	102	WL/FW 80 WLC 80 RL 30	
		5,5	6,3	122	WLC 100 RL 40 RL 50	
		5,5	6,3	152	WLC120 RL 60 RL 80	
		<p>8mm Hex Drill point 12mm</p>	5,5	6,3	76	WL/FW 40 WLC 40 WLC 50
			5,5	6,3	80	WL/FW 50 WLC 60
			5,5	6,3	95	WL/FW 50 WLC 60
			5,5	6,3	95	WL/FW 60 WLC 80
			5,5	6,3	115	WL/FW 80 WLC 80 RL 30 RL 40
5,5			6,3	135	RL 50 WLC 100	
5,5			6,3	155	WLC 120 WLC 100 RL 80	
		5,5	6,3	195	RL 100	
		«ORKAN» calotte. Organic PVDF coated aluminium 1,2mm thick with internal investment of open cell polyurethane foam.				

The information, descriptions, procedures, specifications, and dimensions contained in this catalogue are true and valid until the date of issue. ELASTRON S.A. STEEL SERVICE CENTERS reserves the right to make changes to the design, and the materials of its products for their improvement or removal, without prior notice. Although ELASTRON S.A. STEEL SERVICE CENTERS has made every effort to ensure that the information, technical instructions and data presented in this catalogue are accurate, nevertheless it remains for the user (reader) the obligation to verify whether the above are suitable to cover any of its needs. The company is not liable and is not responsible for any technical or typographical errors that cannot be predicted or have occurred unintentionally or due to force majeure. Especially for the elaboration of particular mechanical engineering studies, we ask you to contact the technical department of our company, in order to receive an updated copy of our catalogue, and to provide you with information and clarifications regarding the data listed in it.

October 2020

ELASTRON S.A.

Agios Ioannis Street, Ag. Ioannis,
193 00, Aspropyrgos , Athens, Greece

Tel. +30 210 5515 000

Fax +30 210 5515 015

elastron@elastron.gr

www.elastron.gr